

SR970/980 (B700/B701)

SR970/980 (B700/B701)

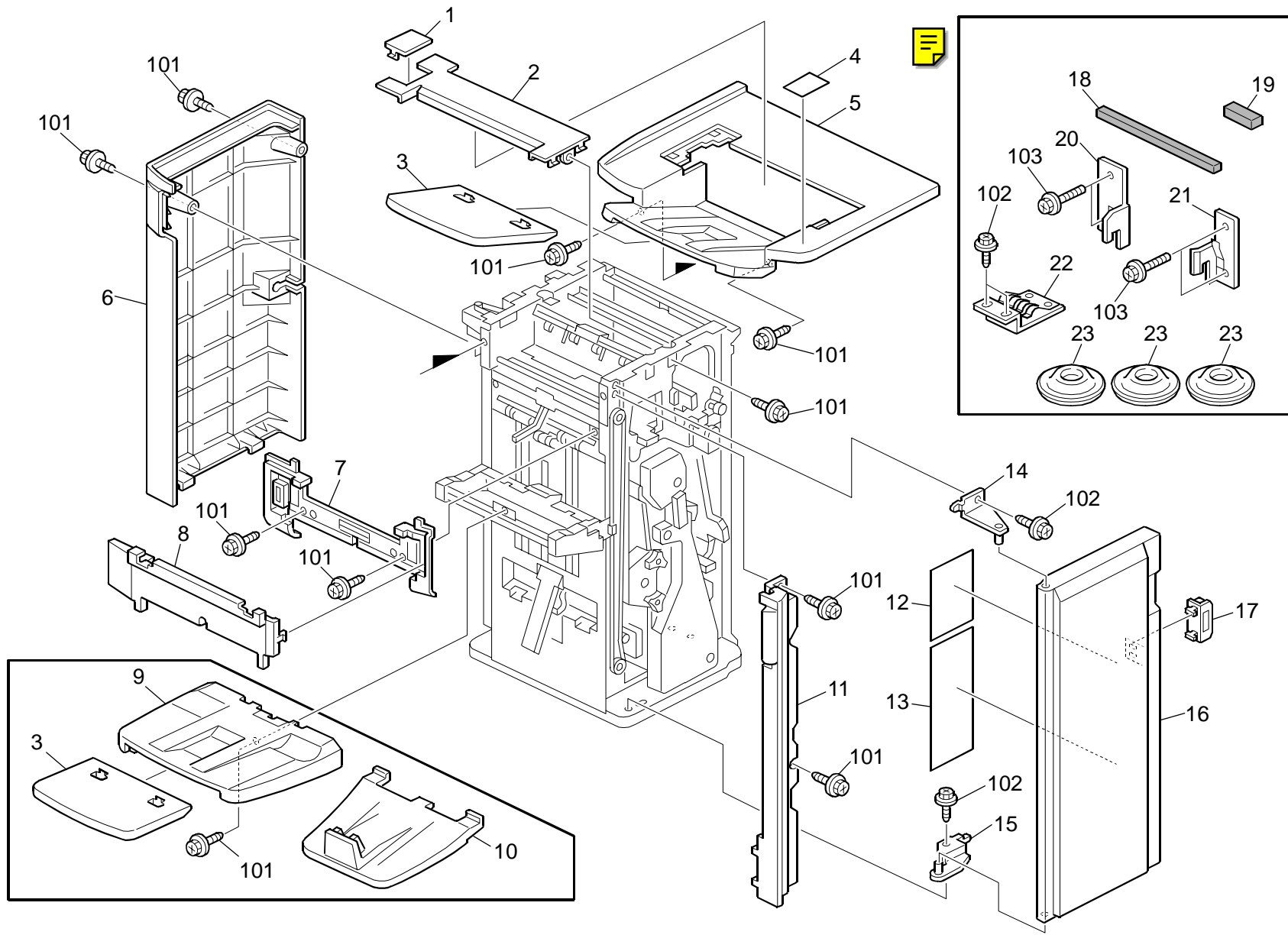
PARTS CATALOG

This catalog gives the numbers and names of parts on this machine.

1.Exterior (B700/B701).....	2	19.Paper Exit Section (B700/B701).....	38
2.Paper Transfer (B700/B701)	4	20.Drive Section 1 (B700/B701)	40
3.Shift Transfer Section 1 (B700/B701)	6	21.Drive Section 2 (B700/B701).....	42
4.Shift Transfer Section 2 (B700/B701)	8	22.Drive Section 3 (B700/B701).....	44
5.Shift Transfer Section 3 (B700/B701)	10	23.Electrical Section (B700/B701).....	46
6.Staple Transfer Section 1 (B700/B701)	12	24.Frame Section (B700/B701).....	48
7.Staple Transfer Section 2 (B700/B701)	14	25.Decals And Documents (B700/B701).....	50
8.Staple Tray 1 (B700/B701).....	16	Parts Index (B700/B701).....	55
9.Staple Tray 2 (B700/B701).....	18		
10.Staple Tray 3 (B700/B701).....	20		
11.Staple Tray 4 (B700/B701).....	22		
12.Staple Tray 5 (B700/B701).....	24		
13.Staple Tray 6 (B700/B701).....	26		
14.Paper Crimp Section 1 (B700)	28		
15.Paper Crimp Section 2 (B700)	30		
16.Paper Crimp Section 3 (B700)	32		
17.Upper Exit Section 1 (B700/B701)	34		
18.Upper Exit Section 2 (B700/B701)	36		

April ,8 ' 2005

1.Exterior (B700/B701)

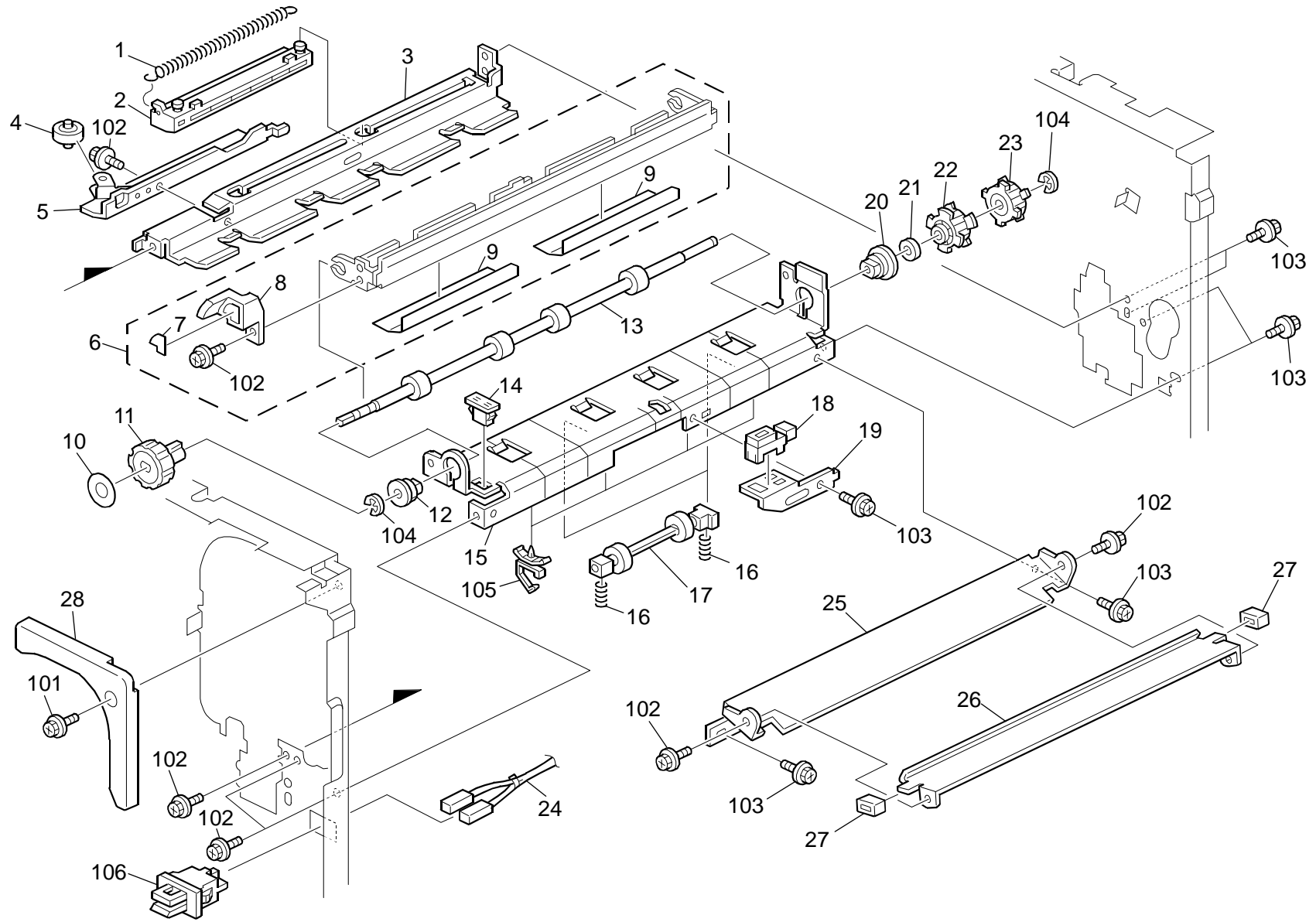


1.Exterior (B700/B701)

Index No.	Part No.	Description	Q'ty Per Assembly
1	B468 1618	Connector Cover	1
2	B700 6136	Cover:Upper:Small	1
3	B700 3420	Tray:Auxiliary	1
4	B468 7812	Caution Decal - Tray Fall	1
5	B700 6130	Cover:Upper	1
6	B700 6170	Cover:Rear	1
7	B700 6150	Cover:Left Upper	1
8	B700 6155	Cover:Jogger	1
9	B700 3415	Tray	1
10	B700 3851	Tray:Paper Crimp Sub-unit (B700)	1
11	B700 6145	Cover:Left:Front	1
12	B700 7850	Decal:Misfeed Removal:Bind:Yes (B700)	1
12	B701 7850	Decal:Misfeed Removal:Bind:No (B701)	1
13	B700 7851	Decal:Staple Exchange (B700)	1
14	B700 6125	Hinge:Door:Upper:Ass'y	1
15	B700 6120	Hinge:Door:Lower:Ass'y	1
16	B700 6115	Cover:Front	1
17	AG07 0512	Magnet Catch:Ass'y	1
18	B468 6511	Spacer Cushion - 20mm	1
19	B700 1197	Seal:Coupling:Finishing Sub-unit	1
20	B700 1191	Bracket:Coupling:Ass'y	1
21	B700 1195	Bracket:Coupling:Front:Ass'y	1
22	B700 1031	Bracket:Ground Plate:Ass'y	1
23	B132 1226	Holder:Stand	3
24	B468 6515	Support Tray	1

Index No.	Part No.	Description	Q'ty Per Assembly
101	0451 3008N	Tapping Screw - M3x8	
102	0451 3006N	Tapping Screw - 3x6	
103	0451 4014N	Tapping Screw:M4x14	

2.Paper Transfer (B700/B701)

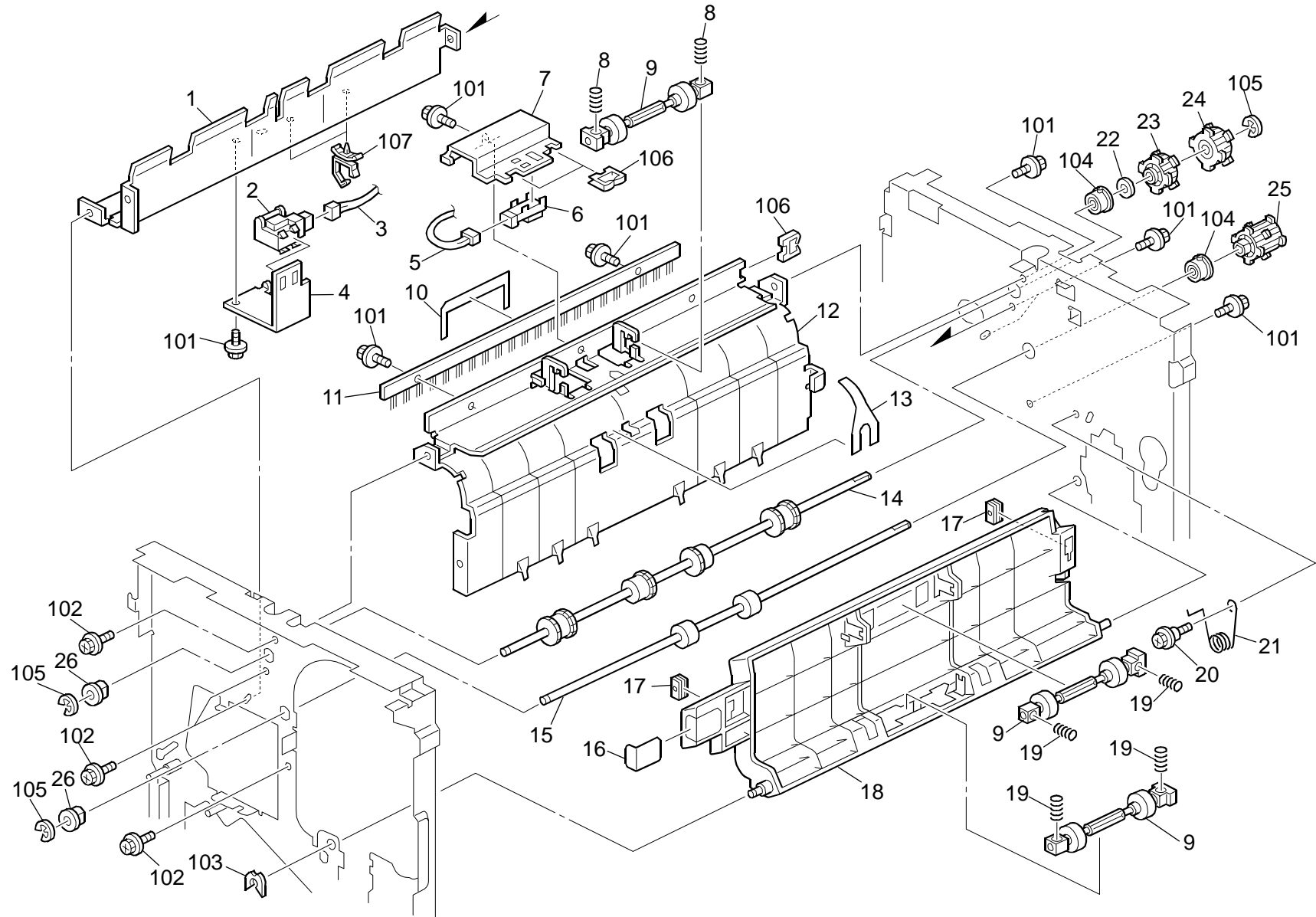


2.Paper Transfer (B700/B701)

Index No.	Part No.	Description	Q'ty Per Assembly
1	B700 2200	Tension Spring:Guide Plate:Move	1
2	B700 2215	Guide Plate:Upper:Move	1
3	B700 2210	Guide Plate:Entrance:Upper	1
4	A666 4270	Roller:Driven:Entrance	1
5	B700 2205	Guide Plate:Punch Unit:Front:Upper	1
6	B700 2008	Guide Plate:Entrance:Ass'y	1
7	B700 7861	Decal:Knob:Entrance:R1	1
8	B700 2125	Knob:Guide Plate:Entrance	1
9	B700 2126	Sheet:Entrance	2
10	B700 7862	Decal:Knob:Entrance:R2	1
11	B408 2281	Knob - Transfer Roller	1
12	B700 2135	Bushing:Transport Roller:Front	1
13	B700 2130	Transport Roller:Entrance:Upper	1
14	AG07 0513	Magnet Catch:Original Table:25.5n	1
15	B700 2110	Guide Plate:Entrance:Lower:Ass'y	1
16	B700 2119	Compression Spring:Entrance:Driven	4
17	AF02 2148	Roller:Driven:L=125	2
18	GW01 0007	Photo Refiection Sensor:Exit	1
19	B700 2145	Bracket:Entrance Sensor	1
20	B700 2140	Bushing:Transport Roller:Rear	1
21	A697 1606	Spacer - 6x12x2.7mm	1
22	AB03 0374	Timing Pulley - 20Z	1
23	B700 1605	Timing Pulley:26t	1
24	B700 5301	Harness:Safety Switch	1
25	B700 2105	Guide Plate:Connecting:Lower	1
26	B700 2100	Guide Plate:Connecting:Upper	1
27	B700 2729	Cushion:Arm	2
28	B700 6110	Inner Cover:Right Upper	1

Index No.	Part No.	Description	Q'ty Per Assembly
101	0802 5277	Tapping Screw	
102	0802 5276	Tapping Screw With Washer - M3x6	
103	0451 3006N	Tapping Screw - 3x6	
104	0720 0040E	Retaining Ring - M4	
105	1105 0516	Clamp	
106	1204 2541	Interlock Switch	

3.Shift Transfer Section 1 (B700/B701)

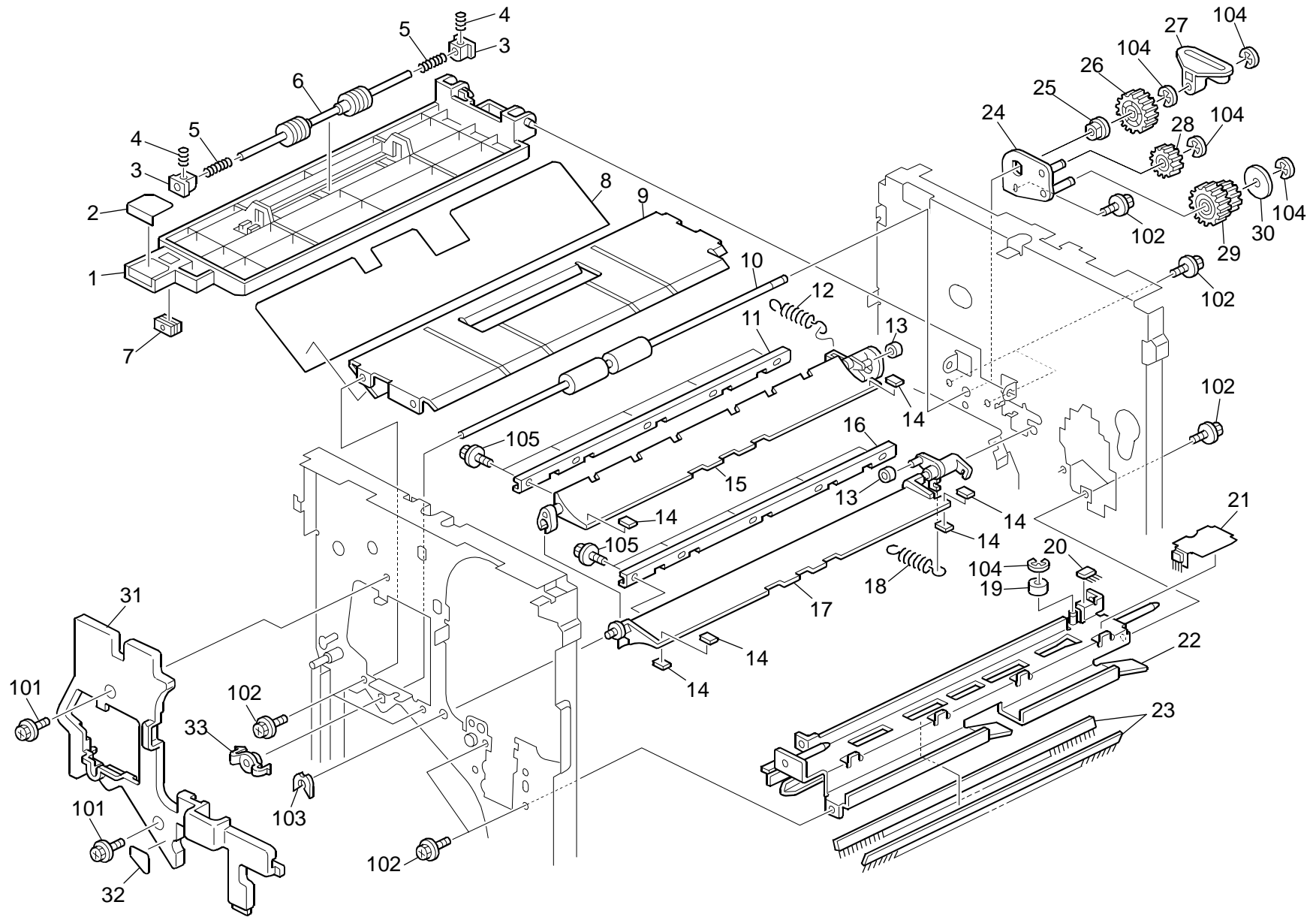


3.Shift Transfer Section 1 (B700/B701)

Index No.	Part No.	Description	Q'ty Per Assembly
1	B700 2330	Guide Plate:Exit:Proof Tray	1
2	AW02 0172	Photointerruptor:Overflow:CT	1
3	B700 5365	Harness:Connecting:Sensor	1
4	B700 2331	Bracket:Photointerruptor:Overflow	1
5	B700 5366	Harness:Connecting:Sensor	1
6	GW01 0007	Photo Refiection Sensor:Exit	1
7	B700 2320	Bracket:Sensor:Proof Tray	1
8	A697 2187	Pressure Spring - 14.1mm	2
9	AF02 2147	Driven Roller	3
10	B302 2216	Exit Guide - Upper Exit Guide	1
11	B700 2317	Discharge Brush	1
12	B700 2310	Guide Plate:Proof Tray:Ass'y	1
13	B700 2313	Sheet:Guide:Proof Tray	1
14	B700 2300	Exit Roller:Proof Tray	1
15	B700 2325	Transport Roller:Long	1
16	B700 7863	Decal:Proof Tray:R3	1
17	AG07 0514	Magnet Catch:Ass'y	2
18	B700 2315	Guide Plate:Proof Tray	1
19	AA06 3529	Pressure Spring - 14.5mm	4
20	AA14 3790	Screw:Contact Point	1
21	B700 2316	Torsion Spring	1
22	A697 1606	Spacer - 6x12x2.7mm	1
23	AB03 0374	Timing Pulley - 20Z	1
24	B700 1605	Timing Pulley:26t	1
25	B700 1645	Timing Pulley:20t	1
26	5053 0447	Bushing - 6mm	2

Index No.	Part No.	Description	Q'ty Per Assembly
101	0451 3006N	Tapping Screw - 3x6	
102	0802 5276	Tapping Screw With Washer - M3x6	
103	0805 0089	Retaining Ring - M4	
104	0805 3537	Ball Bearing:DIA6xDIA13x5:DIA14.5	
105	0720 0040E	Retaining Ring - M4	
106	1105 0328	Harness Clamp - ES-0505	
107	1105 0511	Harness Clamp - LWS-0306ZC	

4.Shift Transfer Section 2 (B700/B701)

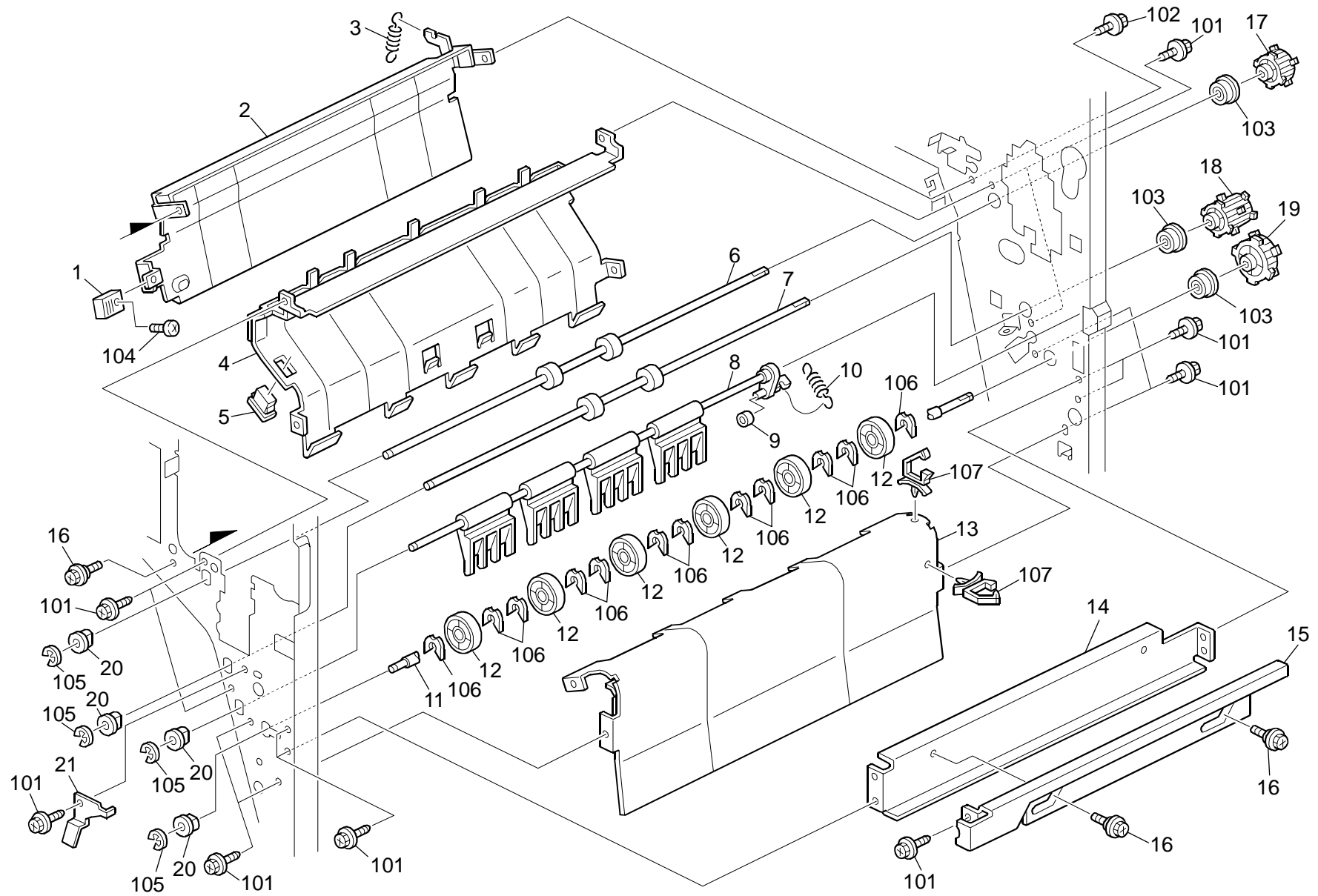


4.Shift Transfer Section 2 (B700/B701)

Index No.	Part No.	Description	Q'ty Per Assembly
1	B700 2245	Guide Plate:Open And Close	1
2	B700 7864	Decal:Shift:R4	1
3	B408 2175	Bushing - Roller Slide	2
4	AA06 3529	Pressure Spring - 14.5mm	2
5	B408 2174	Spring	2
6	B408 2173	Slide Roller	1
7	AG07 0514	Magnet Catch:Ass'y	1
8	B700 2241	Sheet:Guide:Staple	1
9	B700 2240	Guide Plate:Shift:Horizontal:Lower	1
10	B700 2220	Transport Roller:Shift	1
11	B700 2525	Supporting Plate:Gate Pawl	1
12	B700 2545	Tension Spring	1
13	A458 2251	Cushion - Bin Solenoid Lever	1
14	B700 2520	Cushion:Gate Pawl	6
15	B700 2505	Gate Pawl:Proof Tray	1
16	B700 2530	Supporting Plate:Gate Pawl:Staple	1
17	B700 2500	Gate Pawl:Staple	1
18	B700 2540	Tension Spring	1
19	5201 2722	Bushing - M6x5	1
20	B700 1180	Discharge Brush:Punch Unit	1
21	B700 1072	Sheet:Guide:Punch:Ass'y	1
22	B700 1170	Stay:Punch Unit:Slide:Ass'y	1
23	B700 1182	Discharge Brush:Punch:Transport	2
24	B700 1660	Bracket:Gear:Middle:Ass'y	1
25	5053 0447	Bushing - 6mm	1
26	B700 2225	Gear:30z	1
27	B468 2415	Arm - Roller Slide	1
28	B700 1665	Gear:25z	1
29	B700 1650	Gear:30z	1
30	B478 3569	Spacer	1
31	B700 6100	Inner Cover:Upper	1
32	B700 7867	Decal:Turn:Open And Close:R7	1
33	B408 2312	Bushing - Roller Slide	1

Index No.	Part No.	Description	Q'ty Per Assembly
101	0451 3008N	Tapping Screw - M3x8	
102	0451 3006N	Tapping Screw - 3x6	
103	0805 0089	Retaining Ring - M4	
104	0720 0040E	Retaining Ring - M4	
105	0450 3008N	Tapping Screw - M3x8	

5.Shift Transfer Section 3 (B700/B701)

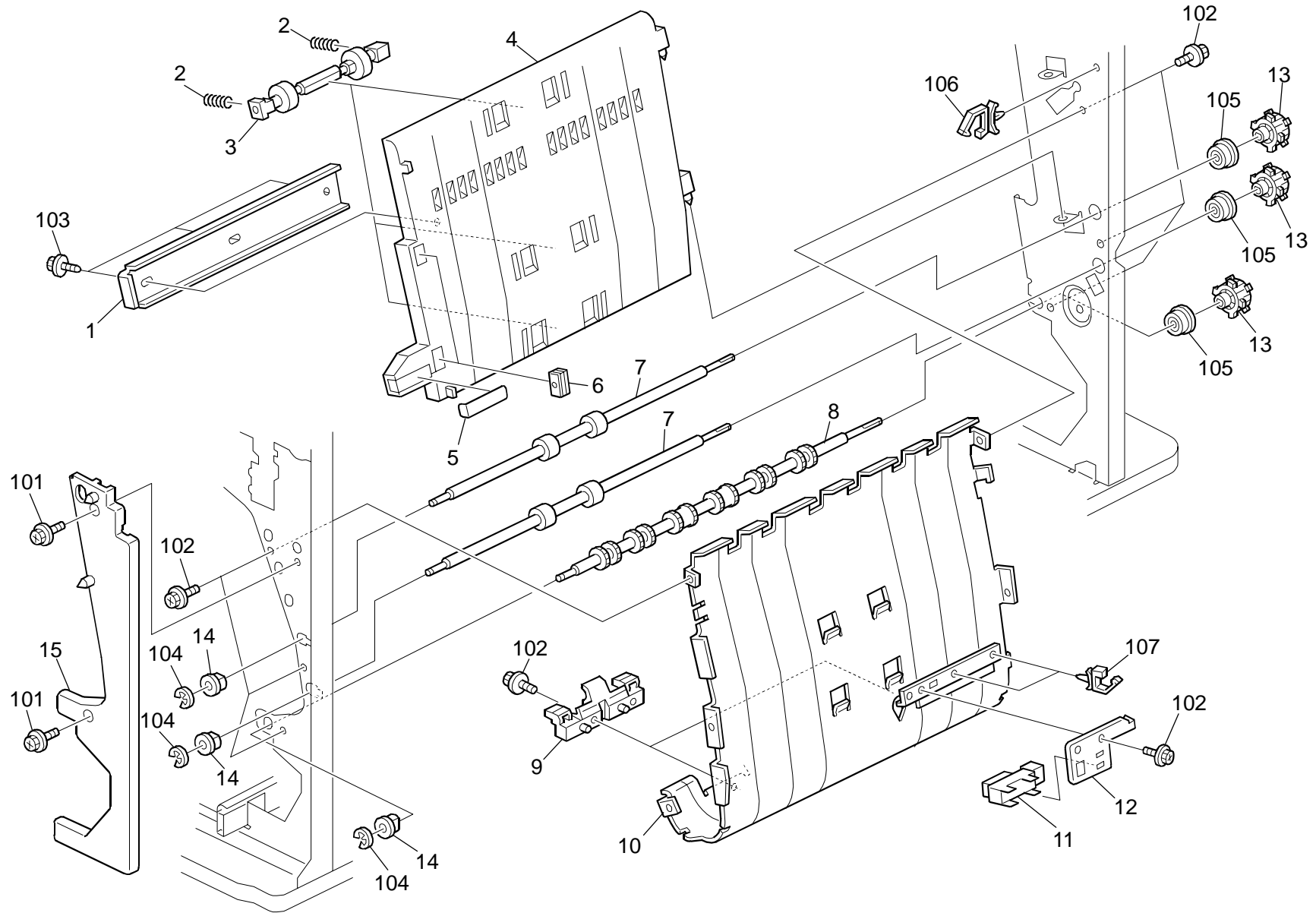


5.Shift Transfer Section 3 (B700/B701)

Index No.	Part No.	Description	Q'ty Per Assembly
1	A353 2243	Lever Knob	1
2	B700 2421	Guide Plate:Turn:Open And Close	1
3	B700 2422	Tension Spring:Turn:Open And Close	1
4	B700 2411	Guide Plate:Turn:Ass'y	1
5	AG07 0513	Magnet Catch:Original Table:25.5n	1
6	B700 2305	Transport Roller:Short	1
7	B700 2325	Transport Roller:Long	1
8	B700 2431	Polarization Powl:Duplex Stack	1
9	A458 2251	Cushion - Bin Solenoid Lever	1
10	B700 2432	Tension Spring	1
11	B700 2452	Shaft:Turn:Guide	1
12	B700 2453	Guide:Turn	6
13	B700 2441	Guide Plate:Duplex Stack:Ass'y	1
14	B700 1151	Stay:Coupling	1
15	A697 1128	Joint Lever	1
16	AA14 3790	Screw:Contact Point	3
17	B352 1607	Timing Pulley - T20-S3M	1
18	B700 1645	Timing Pulley:20t	1
19	B700 1701	Timing Pulley:40t	1
20	5053 0447	Bushing - 6mm	4
21	B700 1185	Ground Plate:Toner Hopper:Punch	1

Index No.	Part No.	Description	Q'ty Per Assembly
101	0451 3006N	Tapping Screw - 3x6	
102	0802 5277	Tapping Screw	
103	0805 3537	Ball Bearing:Dia6xdia13x5:Dia14.5	
104	0353 0040N	Screw - M3x4	
105	0720 0040E	Retaining Ring - M4	
106	0805 0088	Retaining Ring - M6	
107	1105 0516	Clamp	

6. Staple Transfer Section 1 (B700/B701)

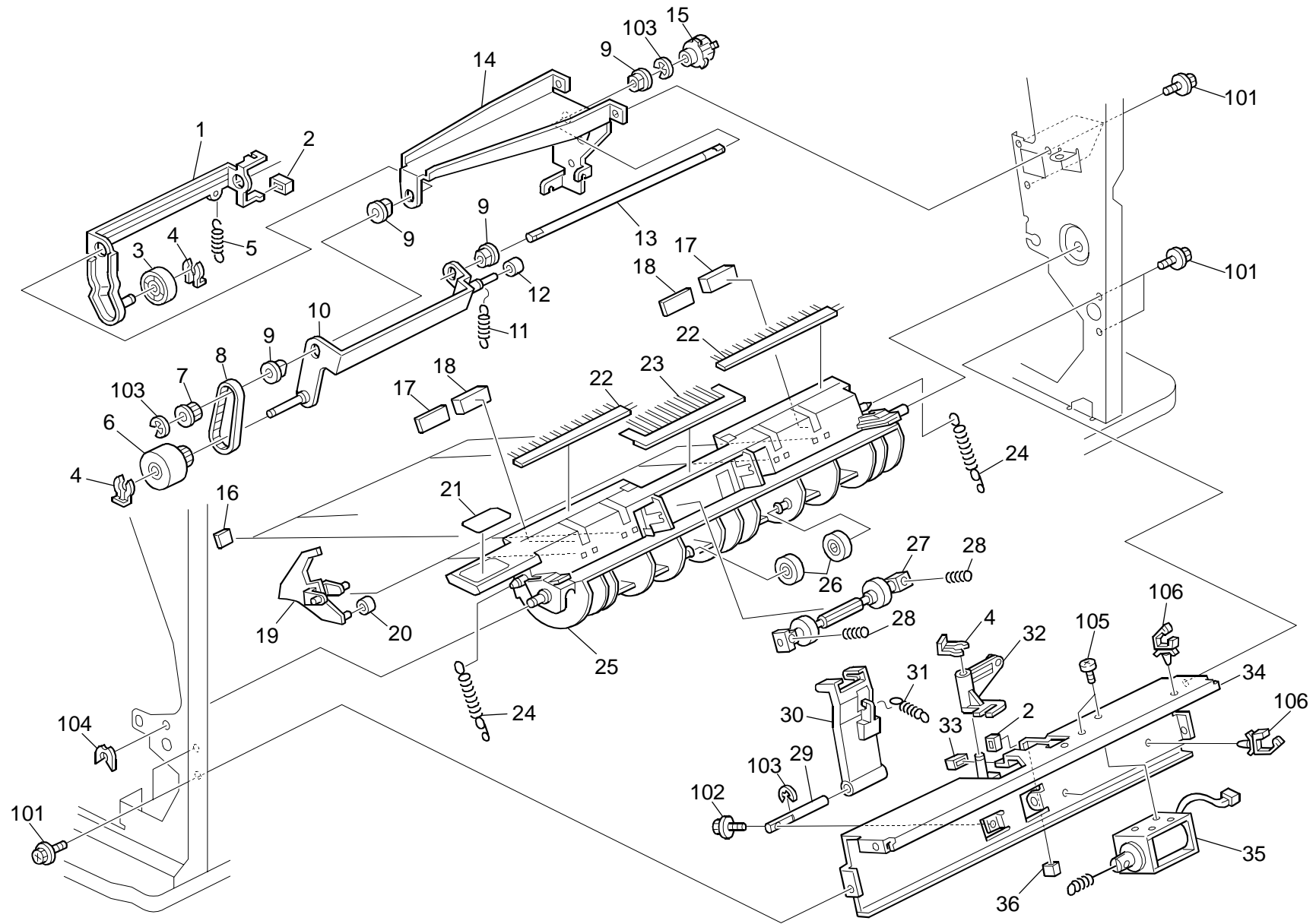


6.Staple Transfer Section 1 (B700/B701)

Index No.	Part No.	Description	Q'ty Per Assembly
1	A612 2435	Support Plate	1
2	B700 2476	Compression Spring:Exit:Driven	6
3	AF02 2147	Driven Roller	3
4	B700 2471	Guide Plate:Lengthwise	1
5	B700 7865	Decal:Vertical Transport:R5	1
6	AG07 0514	Magnet Catch:Ass'y	1
7	B700 2461	Transport Roller:Duplex Stack:Lower	2
8	B700 2491	Exit Roller:Stapler Tray	1
9	B700 2486	Guide Plate:Exit:Stapler Tray	2
10	B700 2481	Guide Plate:Lengthwise:Ass'y	1
11	GW01 0007	Photo Refiection Sensor:Exit	1
12	B700 2485	Bracket:Sensor:Duplex Tray	1
13	B352 1607	Timing Pulley - T20-S3M	3
14	5053 0447	Bushing - 6mm	3
15	B700 6105	Inner Cover:Lower	1

Index No.	Part No.	Description	Q'ty Per Assembly
101	0451 3008N	Tapping Screw - M3x8	
102	0451 3006N	Tapping Screw - 3x6	
103	0450 3008N	Tapping Screw - M3x8	
104	0720 0040E	Retaining Ring - M4	
105	0805 3537	Ball Bearing:DIA6xDIA13x5:DIA14.5	
106	1105 0516	Clamp	
107	1105 0511	Harness Clamp - LWS-0306ZC	

7. Staple Transfer Section 2 (B700/B701)

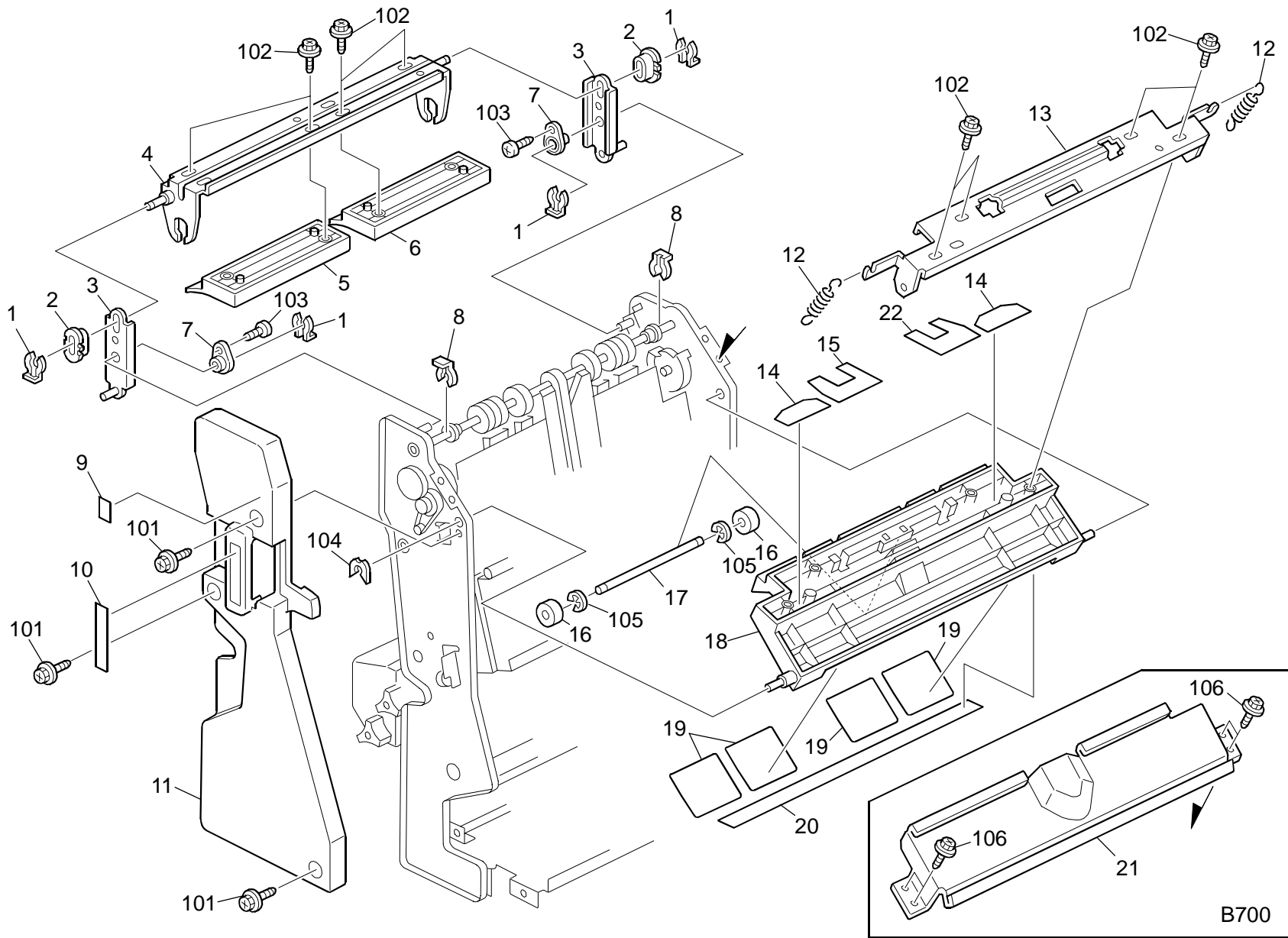


7.Staple Transfer Section 2 (B700/B701)

Index No.	Part No.	Description	Q'ty Per Assembly
1	B700 2631	Arm:Plate:Ass'y (B700)	1
2	A498 4625	Arm Cushion	2
3	B700 2625	Roller:Mm28 (B700)	1
4	5447 2681	Snap Ring	3
5	B700 2635	Tension Spring (B700)	1
6	B408 2435	Gathering Roller:Ass'y	1
7	B408 2422	Pulley - T16	1
8	B700 2649	Timing Belt:40S2M144	1
9	AA08 2058	Bushing - 6x10x9mm	2
10	B700 2621	Arm:Gathering Roller:Ass'y	1
11	AA06 0557	Positioning Roller Spring	1
12	AA16 1099	Lever Cushion	1
13	B700 2612	Shaft:Gathering Roller:Drive	1
14	B700 2611	Bracket:Gathering Roller	1
15	B352 1600	Timing Pulley - S2M T24	1
16	B700 2520	Cushion:Gate Pawl	4
17	A680 4223	Cushion	2
18	B477 2333	Motor Bracket Cushion	2
19	B408 2113	Guide - Trailing Edge	4
20	A458 2251	Cushion - Bin Solenoid Lever	4
21	B700 7866	Decal:Exit:R6	1
22	B700 2474	Discharge Brush:Exit:Stapler Tray	2
23	B700 2477	Discharge Brush:Exit:Stapler Tray	1
24	B700 2478	Tension Spring	2
25	B700 2473	Guide Plate:Lower:Open And Close	1
26	B468 2832	Driven Exit Roller	2
27	AF02 2147	Driven Roller	1
28	B700 2476	Compression Spring:Exit:Driven	2
29	B700 2722	Shaft:Contact Point:Swivel	1
30	B700 2721	Guide:Trailing Edge	1
31	B700 2723	Tension Spring:Release:Swivel	1
32	B700 2725	Arm:Solenoid:Swivel	1
33	B700 2729	Cushion:Arm	1
34	B700 2711	Stay:Swivel:Ass'y	1
35	B700 2731	DC Solenoid:Swivel:Ass'y	1

Index No.	Part No.	Description	Q'ty Per Assembly
36	A697 2102	Damper - Junction Gate Solenoid	1
101	0451 3006N	Tapping Screw - 3x6	
102	0451 3008N	Tapping Screw - M3x8	
103	0720 0040E	Retaining Ring - M4	
104	0805 0089	Retaining Ring - M4	
105	0353 0040N	Screw - M3X4	
106	1105 0511	Harness Clamp - LWS-0306ZC	

8. Staple Tray 1 (B700/B701)

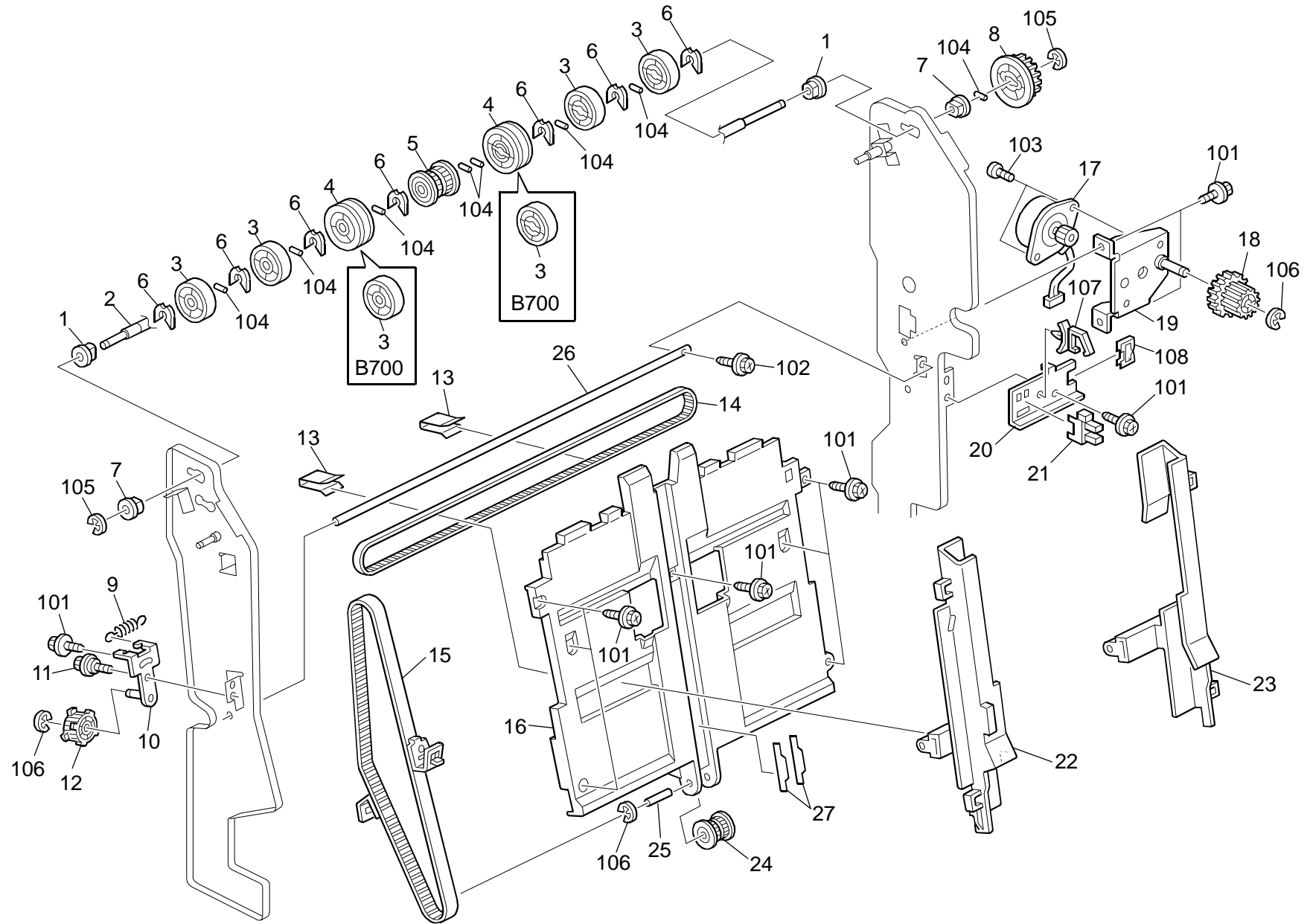


8.Staple Tray 1 (B700/B701)

Index No.	Part No.	Description	Q'ty Per Assembly
1	5447 2681	Snap Ring	4
2	B700 4419	Slider:Guide:Reverse (B700)	2
3	B700 4422	Lever:Reverse:Stapler Tray:Ass'y (B700)	2
4	B700 4416	Supporting Plate:Reverse:Ass'y (B700)	1
5	B700 4414	Guide Plate:Reverse:Front (B700)	1
6	B700 4415	Guide Plate:Reverse:Inner Back (B700)	1
7	B702 7225	Bushing:Punch Unit:Slide (B700)	2
8	5215 2621	Snap Ring - M6 (B700)	2
9	B700 7892	Decal:Stapler:S2 (B700)	1
10	B700 7870	Decal:Stapler Tray:R10 (B700)	1
10	B701 7888	Decal:Stapler Tray:R8 (B701)	1
11	B700 4540	Inner Cover:Stapler Unit	1
12	B700 4412	Tension Spring:Pressure:Turn (B700)	2
13	B700 4402	Supporting Plate:Pressure:Ass'y (B700)	1
14	B700 4408	Guide:Leading Edge:Outer (B700)	2
15	B700 4405	Guide:Leading Edge:Front (B700)	1
16	B700 4410	Roller:DIA22 (B700)	2
17	B700 4411	Shaft:Driven:Turn (B700)	1
18	B700 4401	Guide Plate:Pressure:Reverse:Stapler Tray (B7	1
19	B700 4431	Guide:Leading Edge:Upper (B700)	4
20	B700 4407	Sheet:Plate:Leading Edge (B700)	1
21	B701 4500	Guide Plate:Exit (B701)	1
22	B700 4406	Guide:Leading Edge:Rear (B700)	1

Index No.	Part No.	Description	Q'ty Per Assembly
101	0451 3008N	Tapping Screw - M3x8	
102	0450 3008N	Tapping Screw - M3x8	
103	0453 3006N	Tapping Screw - M3x6	
104	0805 0089	Retaining Ring - M4	
105	0720 0040E	Retaining Ring - M4	
106	0451 3006N	Tapping Screw - 3x6	

9. Staple Tray 2 (B700/B701)

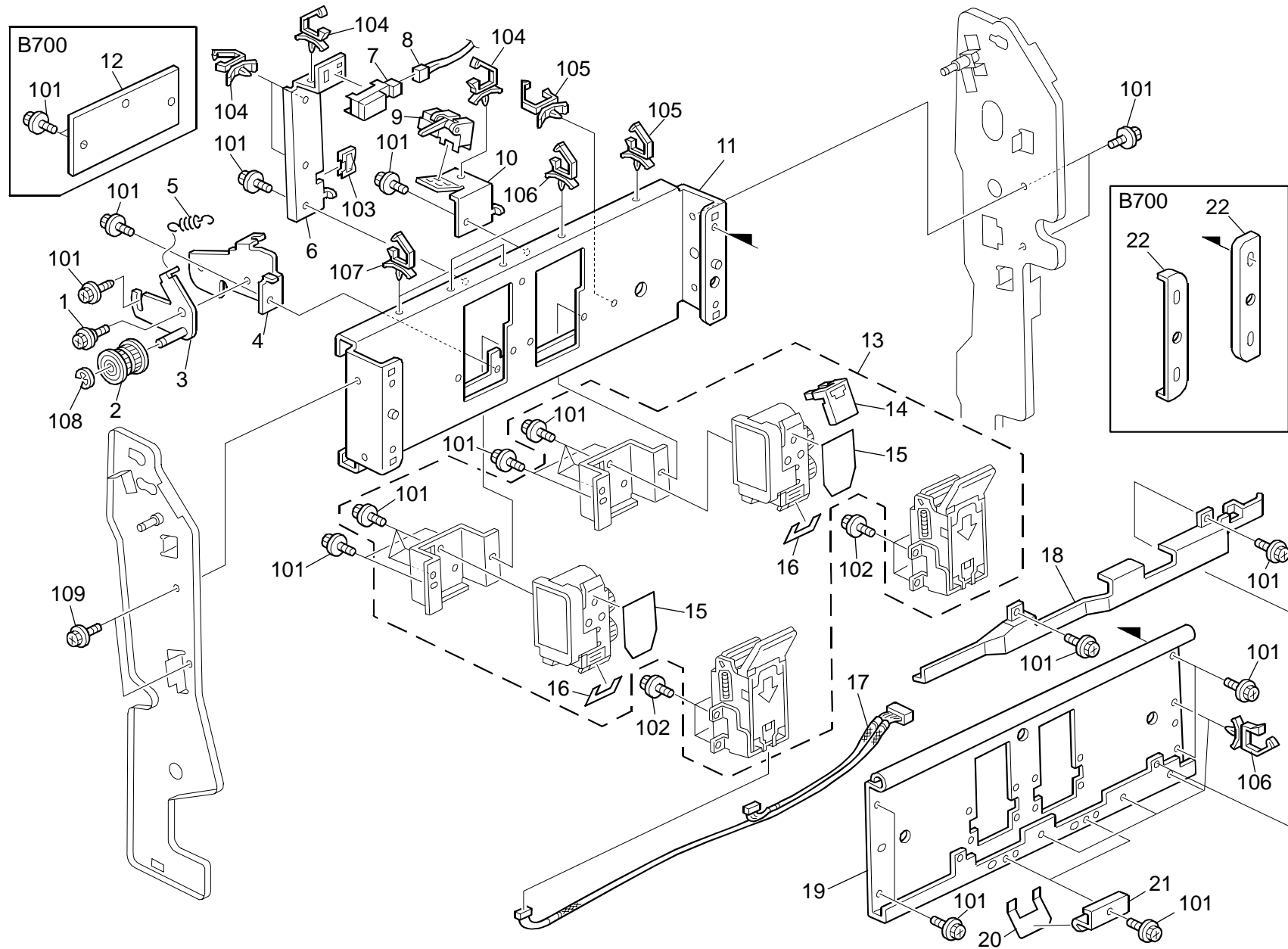


9.Staple Tray 2 (B700/B701)

Index No.	Part No.	Description	Q'ty Per Assembly
1	5053 0419	Bushing - 10mm (B700)	2
2	B700 4258	Shaft:Exit	1
3	B700 4260	Collar:Mm40	4
4	B700 4259	Exit Roller:MM45 (B700)	2
5	B700 4261	Timing Pulley:55t	1
6	AA10 0011	Retaining Ring:Silencer:Mm7	7
7	5053 0223	Bushing - 8mm	2
8	B700 4271	Timing Pulley:55t	1
9	A697 1518	Spring - Oil Blade	1
10	B408 4223	Belt Tensioner - Stapler	1
11	AA14 3790	Screw:Contact Point	1
12	A697 4170	Pulley - 32T	1
13	B468 4381	Stopper - Timing Belt	2
14	B700 4213	Timing Belt:1040S2M4-E	1
15	B700 4250	Exit Belt:Ass'y	1
16	B700 4180	Stapler Tray	1
17	B700 5804	Stepper Motor:DIA42:Z17:Ass'y	1
18	B700 4209	Pulley:32t	1
19	B700 4210	Bracket:Motor:Jogger:Ass'y	1
20	B700 4207	Bracket:Sensor:Jogger	1
21	AW02 0141	Photointerruptor	1
22	B700 4201	Jogger Fence:Front:Ass'y (B700)	1
22	B701 4201	Jogger Fence:Front:Ass'y (B701)	1
23	B700 4204	Jogger Fence:Rear:Ass'y (B700)	1
23	B701 4204	Jogger Fence:Rear:Ass'y (B701)	1
24	A666 3180	Timing Pulley - Z32	1
25	B700 4181	Shaft:Idler:Exit	1
26	B700 4200	Shaft:Guide:Jogger Fence	1
27	B700 4182	Guide:Transport:Stapler Tray (B700)	2

Index No.	Part No.	Description	Q'ty Per Assembly
101	0451 3006N	Tapping Screw - 3x6	
102	0451 3010N	Tapping Screw:3x10	
103	0453 3006N	Tapping Screw - M3x6	
104	0632 0160G	Parallel Pin-m2x16	
105	0720 0060E	Retaining Ring - M6	
106	0720 0040E	Retaining Ring - M4	
107	1105 0511	Harness Clamp - LWS-0306ZC	
108	1105 0328	Harness Clamp - ES-0505	

10. Staple Tray 3 (B700/B701)

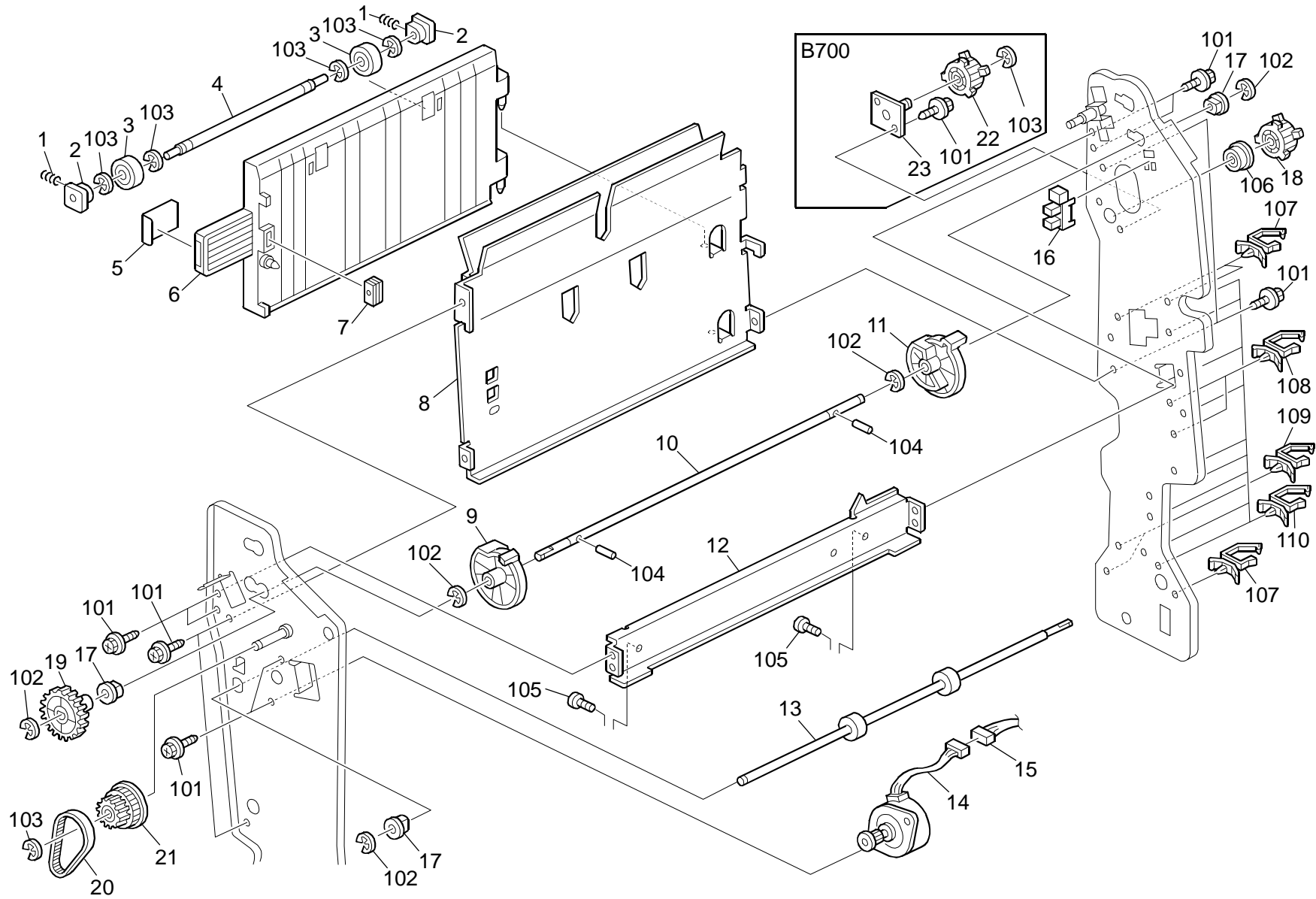


10. Staple Tray 3 (B700/B701)

Index No.	Part No.	Description	Q'ty Per Assembly
1	AA14 3790	Screw:Contact Point	1
2	A666 3180	Timing Pulley - Z32	1
3	B700 4267	Bracket:Tightener:Exit:Ass'y	1
4	B700 4265	Bracket:Tightener:Exit:Fix	1
5	B700 4276	Tension Spring	1
6	B700 4170	Bracket:Positioning Sensor (B700)	1
7	GW01 0007	Photo Refiection Sensor:Exit	1
8	B700 5418	Harness:Connecting:Sensor (B700)	1
9	AW02 0166	Photointerruptor:Paper Feed Sensor	1
10	B700 4255	Bracket:Home Position Sensor:Pawl	1
11	B700 4161	Stay:Middle:Stapler Tray	1
12	B701 4162	Cover:Stay:Middle:Behind (B701)	1
13	B700 7852	Stapler:Service Parts:Ass'y	1
14	B468 6411	Adjusting Pin - Booklet Stapler (B700)	1
15	B468 4136	Middle Myler (B700)	2
16	B700 4352	Sheet:Guide:Stapler (B700)	2
17	B700 5405	Harness:Stapler:Staple Exchange (B700)	1
18	B700 4356	Cover:Harness:Stapler (B700)	1
19	B700 4353	Stay:Middle:Stapler Tray:Small (B700)	1
20	B700 4355	Guide:Stapler:Middle (B700)	2
21	B700 4354	Guide:Stapler:Middle (B700)	2
22	B701 4161	Cover:Stay:Middle (B701)	2

Index No.	Part No.	Description	Q'ty Per Assembly
101	0451 3006N	Tapping Screw - 3x6	
102	0802 5276	Tapping Screw With Washer - M3x6	
103	1105 0328	Harness Clamp - ES-0505	
104	1105 0511	Harness Clamp - LWS-0306ZC	
105	1105 0489	Harness Clamp - LWS 1316	
106	1105 0487	Harness Clamp	
107	1105 0508	Harness Clamp - LWS-0711 (B701)	
108	0720 0040E	Retaining Ring - M4	
109	0453 3006N	Tapping Screw - M3x6	

11. Staple Tray 4 (B700/B701)

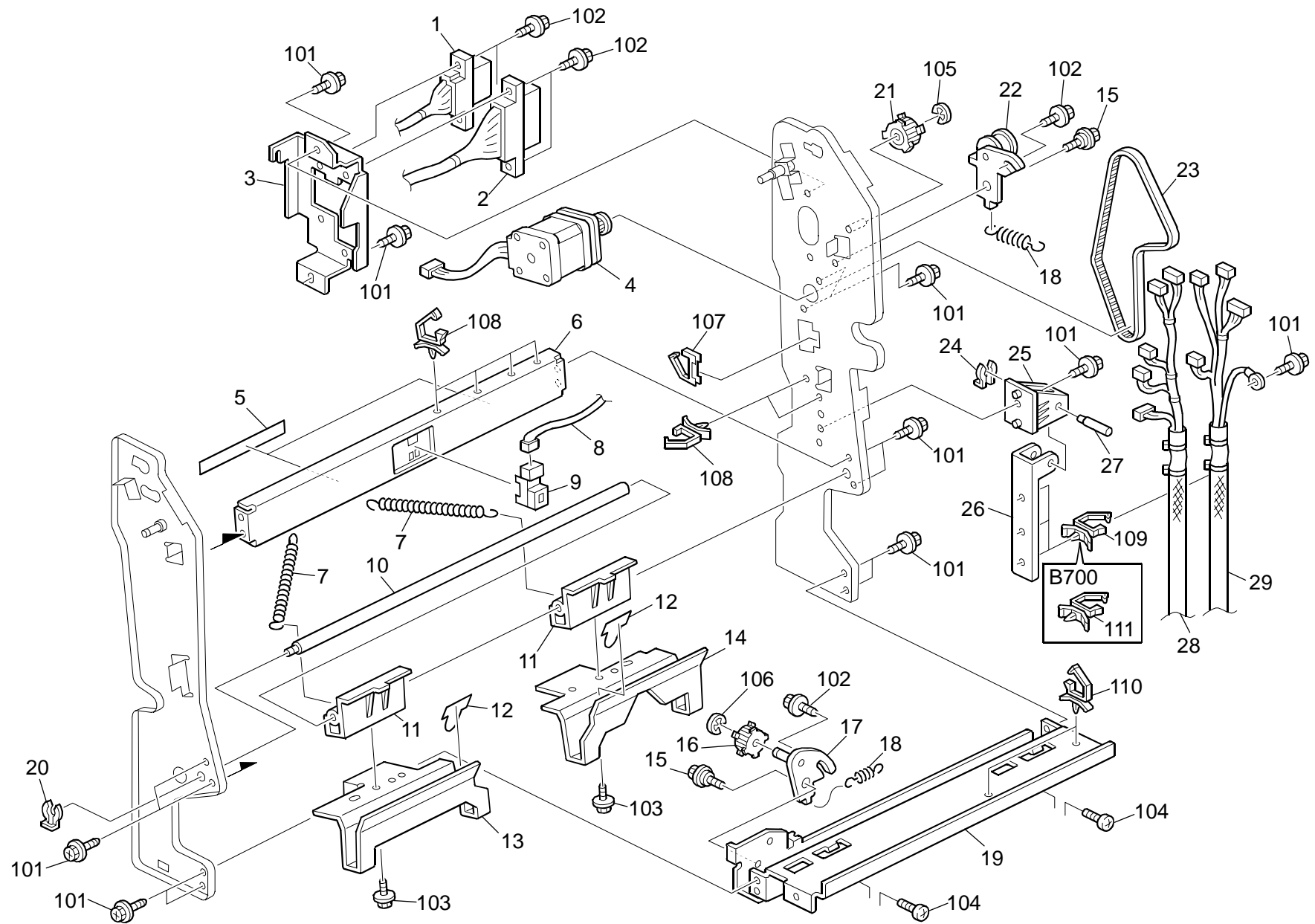


11.Staple Tray 4 (B700/B701)

Index No.	Part No.	Description	Q'ty Per Assembly
1	AA06 3529	Pressure Spring - 14.5mm	2
2	B352 2205	Bushing - Driven Roller (B700)	2
3	B478 2328	Exit Roller:Driven (B700)	2
4	B700 4455	Shaft:Driven:Transport Unit (B700)	1
5	B700 7871	Decal:Transport Unit:R11 (B700)	1
6	B700 4454	Guide Plate:Transport Unit (B700)	1
7	AG07 0514	Magnet Catch:Ass'y	1
8	B700 4450	Guide Plate:Transport Unit (B700)	1
9	B700 4426	Cam:Guide Plate:Front (B700)	1
10	B700 4425	Shaft:Drive:Cam (B700)	1
11	B700 4427	Cam:Guide Plate:Inner Back (B700)	1
12	B700 4159	Stay:Upper:Slide Rail	1
13	B700 4457	Transport Roller:Transport Unit (B700)	1
14	B700 5802	Stepper Motor:PM:S2M:T12:Ass'y (B700)	1
15	B700 5414	Harness:Gate:Open And Close:Motor (B700)	1
16	AW02 0141	Photointerruptor	1
17	5053 0223	Bushing - 8mm	3
18	B700 4272	Timing Pulley:30t (B700)	1
19	B700 4430	Gear:43z (B700)	1
20	B700 4428	Timing Belt:B40S2M158 (B700)	1
21	B700 4429	Gear:Pulley:17z/48t (B700)	1
22	B700 4273	Timing Pulley:30t	1
23	B701 4271	Bracket:Idler:Ass'y (B701)	1

Index No.	Part No.	Description	Q'ty Per Assembly
101	0451 3006N	Tapping Screw - 3x6	
102	0720 0060E	Retaining Ring - M6	
103	0720 0040E	Retaining Ring - M4	
104	0632 0160G	Parallel Pin-m2x16	
105	0453 3006N	Tapping Screw - M3x6	
106	0805 3537	Ball Bearing:DIA6xDIA13x5:DIA14.5	
107	1105 0508	Harness Clamp - LWS-0711 (B701)	
108	1105 0488	Harness Clamp	
109	1105 0516	Clamp	
110	1105 0487	Harness Clamp	

12. Staple Tray 5 (B700/B701)

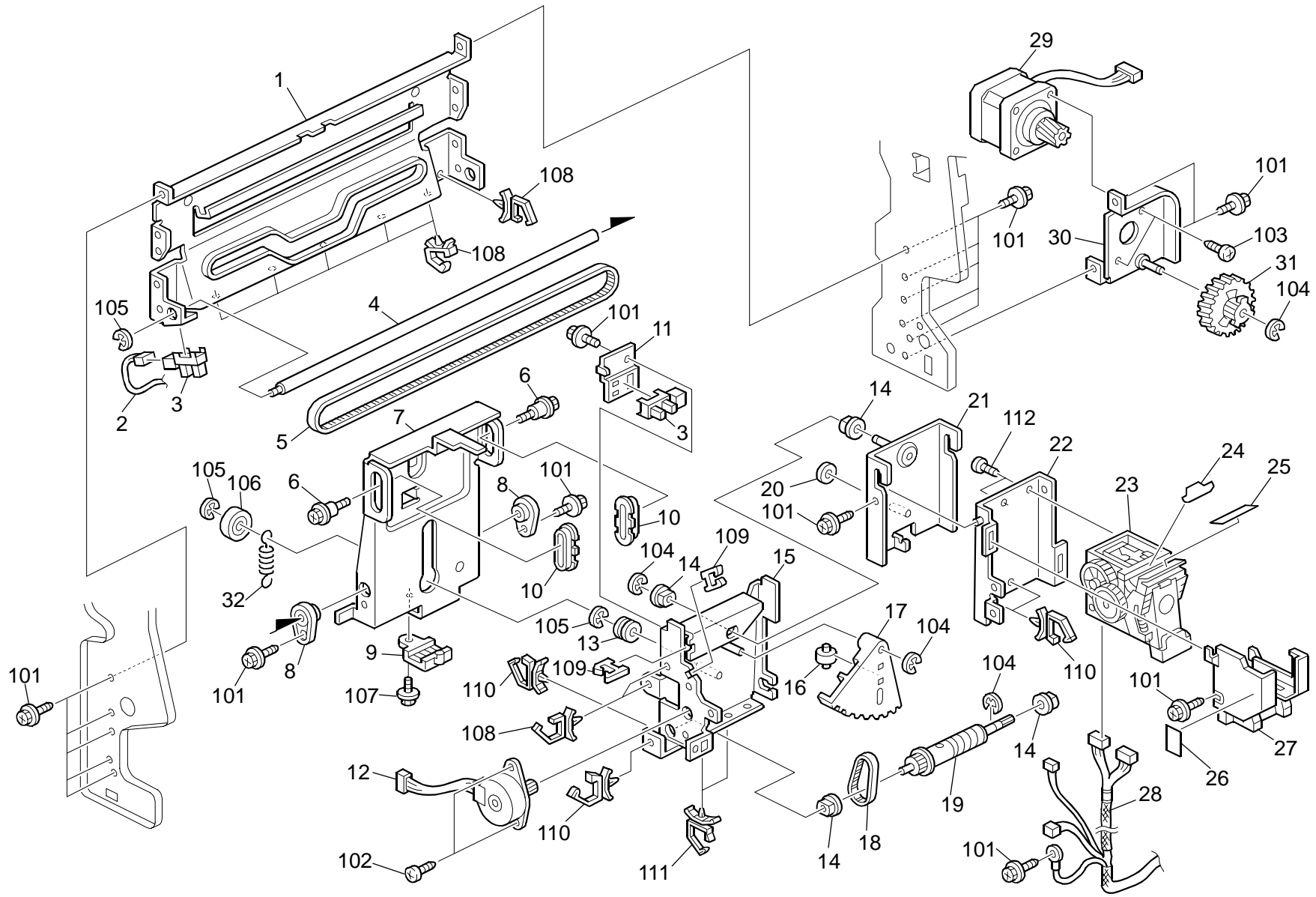


12.Staple Tray 5 (B700/B701)

Index No.	Part No.	Description	Q'ty Per Assembly
1	B700 5367	Harness:Sensor:Stapler Tray	1
2	B700 5420	Harness:Staple:Middle:Sub-ass'y (B700)	1
3	B700 4524	Bracket:Stapler Tray:Moveable	1
4	B700 5808	Stepper Motor:Exit:Ass'y	1
5	B700 4168	Sheet:Slider	2
6	B700 4167	Stay:Lower:Positioning Sensor	1
7	B700 4107	Spring:Return:Standard Fence	2
8	GW01 0007	Photo Refiection Sensor:Exit	1
9	B700 5419	Harness:Connecting:Sensor	1
10	B700 4100	Shaft:Slider:Standard Fence	1
11	B700 4103	Slider:Standard Fence	2
12	B700 4104	Guide:Entrance:Stapler:Inner Back	2
13	B700 4102	Standard Fence:Front:Staple	1
14	B700 4106	Standard Fence:Rear:Staple	1
15	AA14 3790	Screw:Contact Point	1
16	AB03 0278	Idler - 20z	1
17	B700 4308	Bracket:Tightener:Stapler:Ass'y	1
18	A697 1518	Spring - Oil Blade	2
19	B700 4165	Stay:Lower:Slide Rail	1
20	5447 2681	Snap Ring	1
21	B700 4273	Timing Pulley:30t	1
22	B312 1600	Tightener	1
23	B700 4275	Timing Belt:B40S2M474	1
24	5206 2686	Snap Ring	1
25	B700 4521	Holder:Arm:Harness	1
26	B700 4522	Arm:Harness:Stapler Unit	1
27	B700 4523	Pin:Fix:Arm	1
28	B700 5413	Harness:Staple:Motor (B700)	1
29	B700 5317	Harness:Motor:Stapler Unit	1

Index No.	Part No.	Description	Q'ty Per Assembly
101	0451 3006N	Tapping Screw - 3x6	
102	0451 3008N	Tapping Screw - M3x8	
103	0450 3008N	Tapping Screw - M3x8	
104	0453 3006N	Tapping Screw - M3x6	
105	0720 0040E	Retaining Ring - M4	
106	0720 0060E	Retaining Ring - M6	
107	1105 0334	Edge - 17 (B700)	
108	1105 0511	Harness Clamp - LWS-0306ZC	
109	1105 0488	Harness Clamp	
110	1105 0487	Harness Clamp	
111	1105 0508	Harness Clamp - LWS-0711 (B701)	

13. Staple Tray 6 (B700/B701)

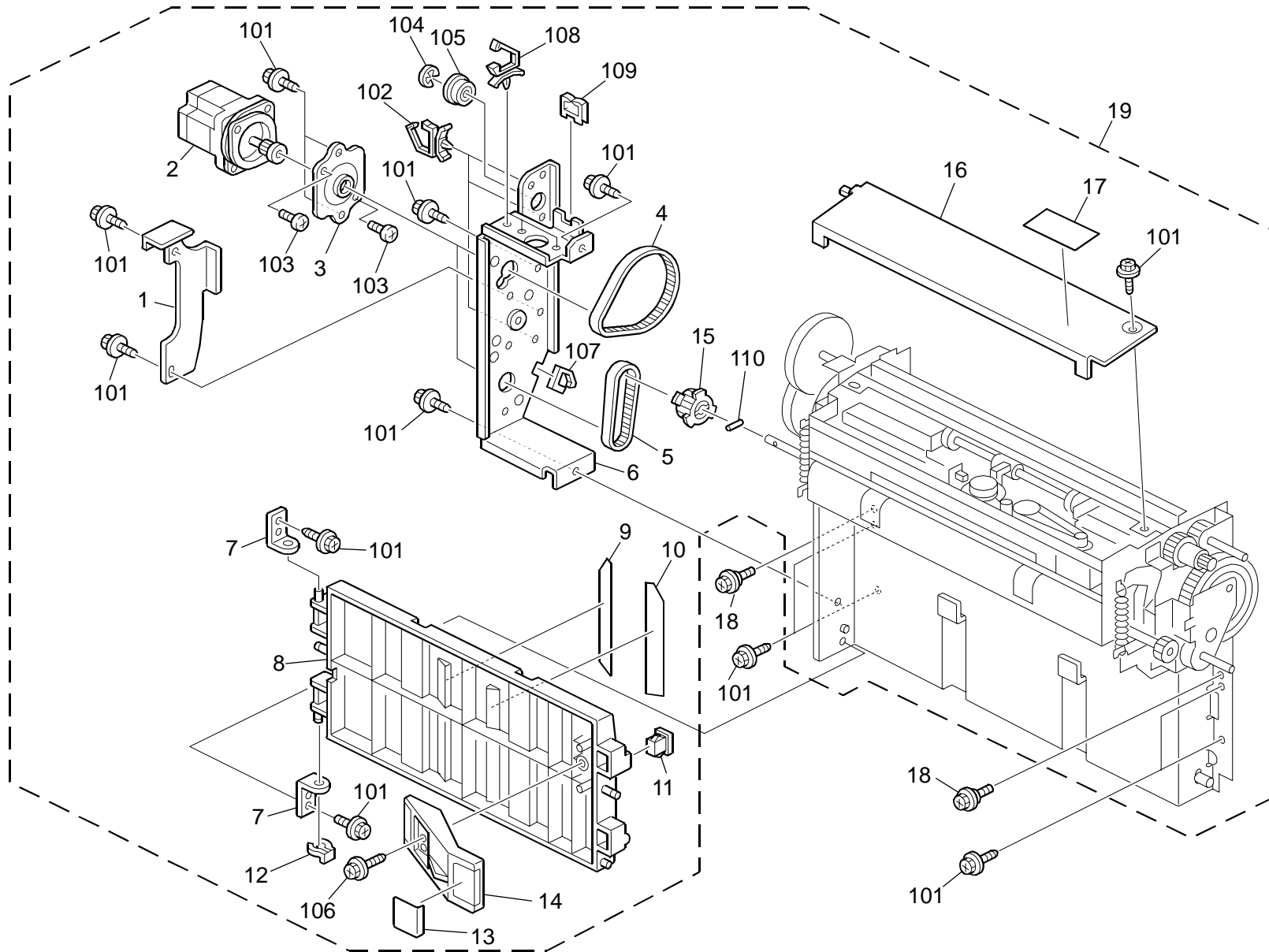


13.Staple Tray 6 (B700/B701)

Index No.	Part No.	Description	Q'ty Per Assembly
1	B700 4163	Stay:Guide:Stapler:Move	1
2	B700 5371	Harness:Connecting:Sensor	1
3	AW02 0141	Photointerruptor	2
4	B700 4300	Shaft:Guide:Stapler	1
5	B700 4335	Timing Belt:B60S3M954	1
6	AA14 3702	Screw:Pin:Positioning	1
7	B700 4329	Bracket:Stapler:Move:Ass'y	2
8	B352 4318	Bushing - Lower Slider	2
9	B302 4292	Belt Holder	1
10	B700 4334	Guide:Slide:Stapler	2
11	B700 4324	Bracket:Sensor:Diagonal,slanted	1
12	B700 5801	Stepper Motor:Ass'y	1
13	B700 4333	Roller:Guide:Slide:Stapler	1
14	5053 0447	Bushing - 6mm	4
15	B700 4320	Bracket:Stapler:Slide:Ass'y	1
16	A376 1343	Original Pressure Roller	1
17	A697 4140	Sector Gear - 144z	1
18	B700 4327	Timing Belt:B40S2M90	1
19	B700 4326	Worm Gear:Pulley:19t	1
20	AA13 2024	Spacer - M6	1
21	B700 4316	Bracket:Stapler:Turn:Ass'y	1
22	B700 4313	Bracket:Fix:Stapler:Ass'y	1
23	AJ01 1015	Stapler:EH-530	1
24	B700 4312	Guide:Stapler:Entrance:Lower	1
25	B700 4311	Guide:Stapler:Entrance:Upper	1
26	B700 7891	Decal:Stapler:S1	1
27	B700 4336	Inner Cover:Stapler	1
28	B700 5368	Harness:Connecting:Stapler	1
29	B700 5809	Stepper Motor:Stapler:Moveable:Ass'y	1
30	B700 4302	Bracket:Drive:Stapler:Move:Ass'y	1
31	B700 4305	Gear Pulley:52z/20t	1
32	B700 4337	Tension Spring	1

Index No.	Part No.	Description	Q'ty Per Assembly
101	0451 3006N	Tapping Screw - 3x6	
102	0353 0060N	Philips Pan Head Bind Screw - M3x6	
103	0353 0050N	Screw-m3x5	
104	0720 0040E	Retaining Ring - M4	
105	0720 0060E	Retaining Ring - M6	
106	0740 3008	Ball Bearing - 8x22x7	
107	0451 3008N	Tapping Screw - M3x8	
108	1105 0511	Harness Clamp - LWS-0306ZC	
109	1105 0328	Harness Clamp - ES-0505	
110	1105 0487	Harness Clamp	
111	1105 0516	Clamp	
112	0453 3006N	Tapping Screw - M3x6	

14.Paper Crimp Section 1 (B700/B701)

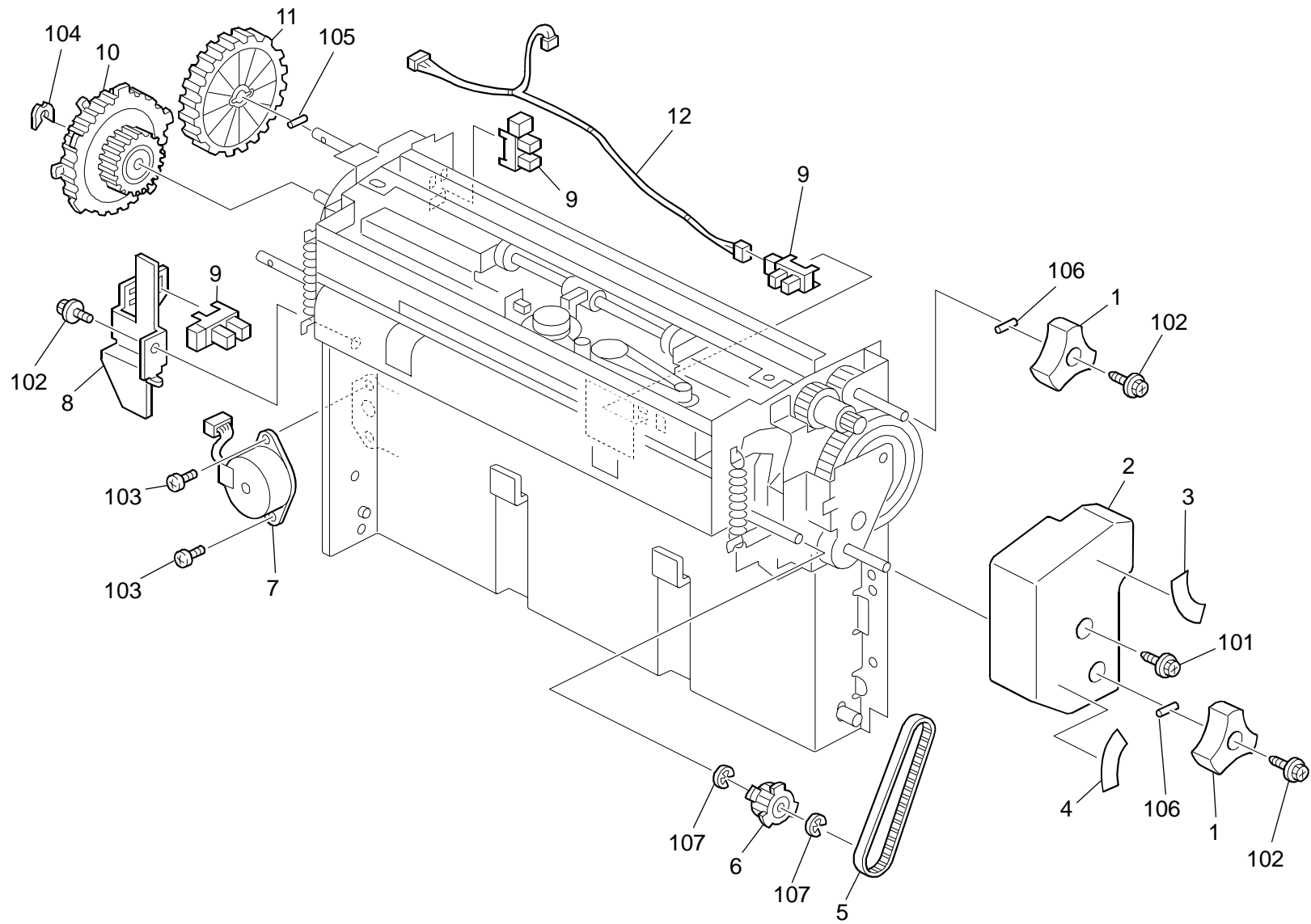


14.Paper Crimp Section 1 (B700/B701)

Index No.	Part No.	Description	Q'ty Per Assembly
1	B700 4895	Cover:Drive (B700)	1
2	B700 5812	Stepper Motor:MM56:S3M:T14:Ass'y (B700)	1
3	B700 4797	Bracket:Motor:MM56 (B700)	1
4	B700 4787	Timing Belt:B80S3M237 (B700)	1
5	B700 4785	Timing Belt:B80S3M156 (B700)	1
6	B700 4790	Bracket:Auxiliary:Rear (B700)	1
7	B700 4879	Bracket:Contact Point (B700)	2
8	B700 4875	Guide Plate:Open And Close:Lower (B700)	1
9	B700 4874	Guide:Open And Close:Rear (B700)	1
10	B700 4873	Guide:Open And Close:Front (B700)	1
11	B352 2650	Magnet Catch - 5n (B700)	1
12	5206 2686	Snap Ring	1
13	B700 7872	Decal:Paper Crimp Sub-unit:R12 (B700)	1
14	B700 4877	Grip:Guide Plate (B700)	1
15	B700 4784	Pulley:22t (B700)	1
16	B700 4897	Cover:Upper (B700)	1
17	B700 7896	Decal:Caution (B700)	1
18	AA14 3790	Screw:Contact Point	2
19	B700 4061	Paper Crimp Unit (B700)	1

Index No.	Part No.	Description	Q'ty Per Assembly
101	0451 3006N	Tapping Screw - 3x6	
102	1105 0487	Harness Clamp	
103	0453 4006N	Binding Self Tapping Screw:4x6 (B700)	
104	0720 0060E	Retaining Ring - M6	
105	0742 3808	Ball Bearing - 8x16x5 (B700)	
106	0450 3008N	Tapping Screw - M3x8	
107	1105 0522	Edge Saddle - Les0510 (B700)	
108	1105 0511	Harness Clamp - LWS-0306ZC	
109	1105 0328	Harness Clamp - ES-0505	
110	0633 0140G	Parallel Pin - 3x14 (B700)	

15.Paper Crimp Section 2 (B700/B701)

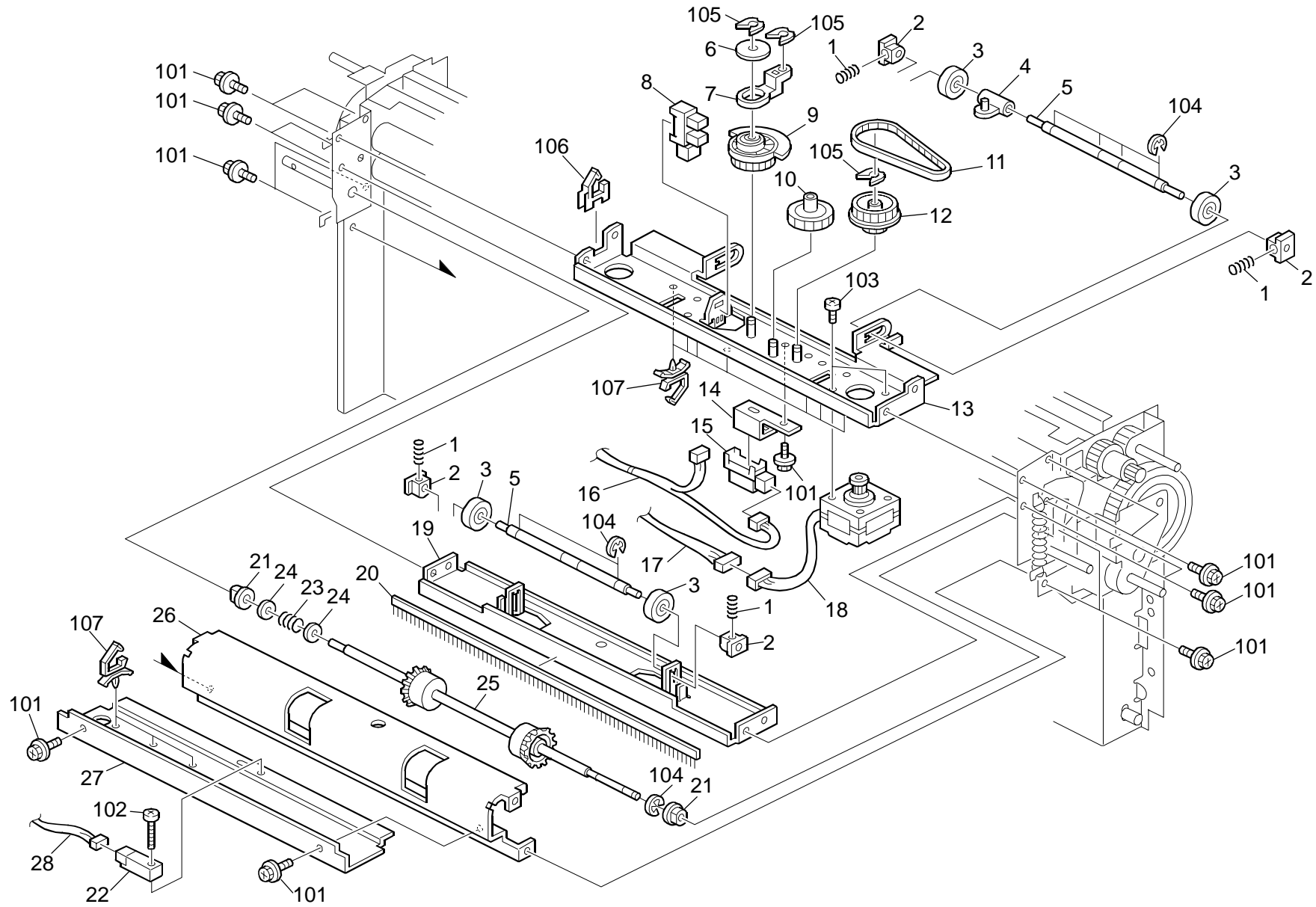


15.Paper Crimp Section 2 (B700/B701)

Index No.	Part No.	Description	Q'ty Per Assembly
1	B700 4885	Knob:Paper Crimp (B700)	2
2	B700 4891	Inner Cover (B700)	1
3	B700 7869	Decal:Knob:Roller:R9 (B700)	1
4	B700 7868	Decal:Knob:Blade:R8 (B700)	1
5	B700 4720	Timing Belt:B40S2M214 (B700)	1
6	B700 4718	Pulley:27t (B700)	1
7	B700 5804	Stepper Motor:DIA42:Z17:Ass'y	1
8	B700 4770	Bracket:Home Position Sensor:Blade (B700)	1
9	AW02 0141	Photointerruptor	3
10	B700 4782	Pulley:31t (B700)	1
11	B700 4781	Gear:62t (B700)	1
12	B700 5411	Harness:Sensor:Plate:End Fence (B700)	1

Index No.	Part No.	Description	Q'ty Per Assembly
101	0451 3008N	Tapping Screw - M3x8	
102	0451 3006N	Tapping Screw - 3x6	
103	0453 3006N	Tapping Screw - M3x6	
104	0805 0088	Retaining Ring - M6	
105	0633 0140G	Parallel Pin - 3x14 (B700)	
106	0633 0180G	Parallel Pin - 3x18mm (B700)	
107	0720 0040E	Retaining Ring - M4	

16. Paper Crimp Section 3 (B700/B701)

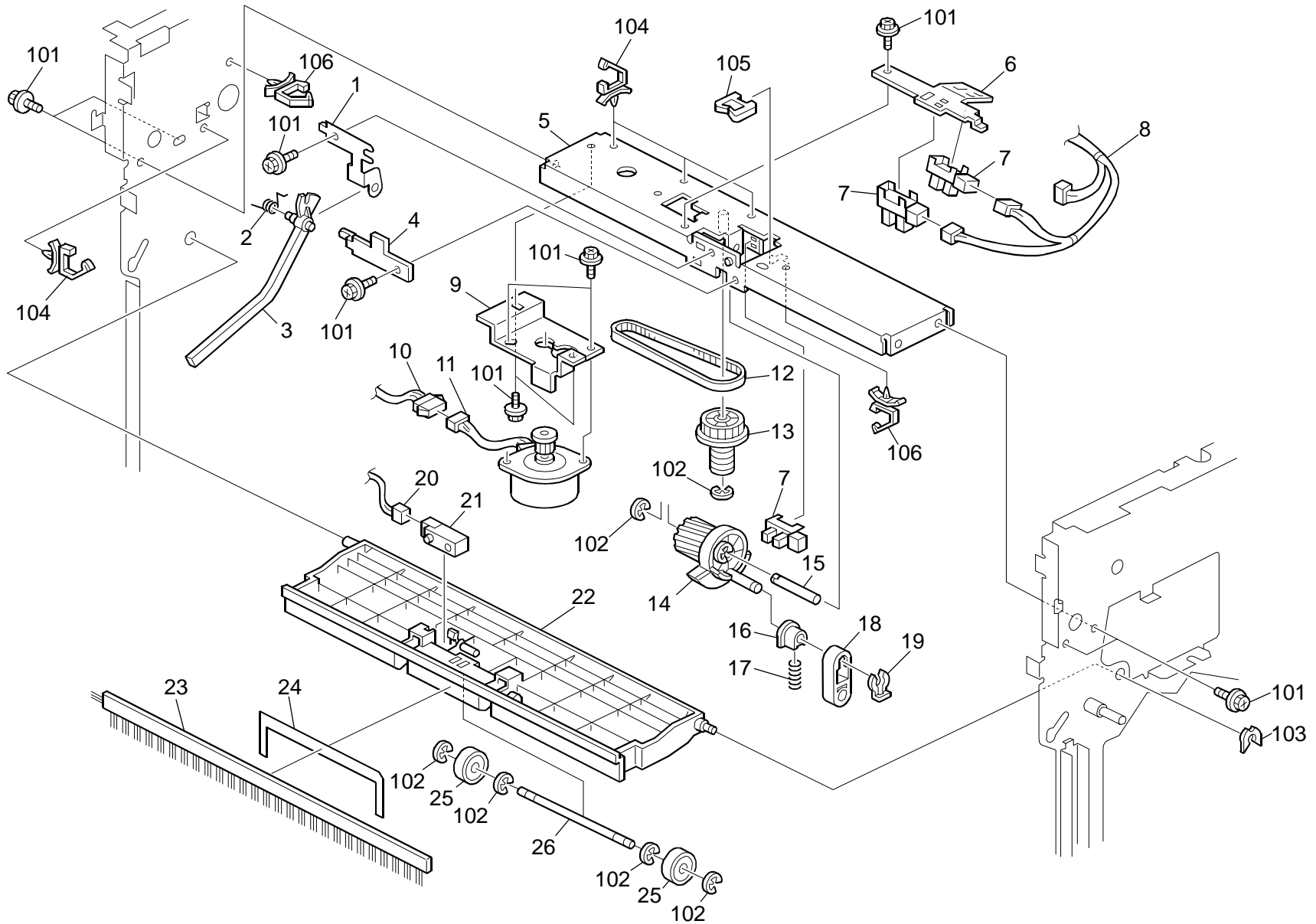


16.Paper Crimp Section 3 (B700/B701)

Index No.	Part No.	Description	Q'ty Per Assembly
1	B700 4757	Compression Spring:Transport Roller (B700)	4
2	AA08 0237	Bushing - 4x5x7 (B700)	4
3	B478 2328	Exit Roller:Driven (B700)	4
4	B700 4810	Shaft:Driven:Release (B700)	1
5	B700 4755	Shaft:Driven (B700)	2
6	B700 4829	Spacer:Release:Transport (B700)	1
7	B700 4827	Joint:Release:Transport (B700)	1
8	AW02 0141	Photointerruptor	1
9	B700 4821	Cam:Release:Transport (B700)	1
10	B700 4823	Gear:56z (B700)	1
11	B700 4720	Timing Belt:B40S2M214 (B700)	1
12	B700 4825	Gear:28z (B700)	1
13	B700 4805	Stay:Release:Transport (B700)	1
14	B700 4835	Bracket:Paper Feed Sensor (B700)	1
15	GW01 0007	Photo Refiection Sensor:Exit	1
16	B700 5410	Harness:Sensor (B700)	1
17	B700 5415	Harness:Drive:Swivel:Motor	1
18	B700 5810	Stepper Motor:MM39:S2M:T15:Ass'y (B700)	1
19	B700 4753	Guide Plate:Exit:Upper (B700)	1
20	B700 4759	Discharge Brush:Exit (B700)	1
21	5053 0447	Bushing - 6mm	2
22	AW01 0109	Photo Refiection Sensor:Ps117ed1	1
23	B700 4713	Compression Spring (B700)	1
24	AA13 2208	Spacer - M6 (B700)	1
25	B700 4715	Exit Roller:Paper Crimp Sub-Unit (B700)	1
26	B700 4745	Guide Plate:Exit:Lower (B700)	1
27	B700 4763	Guide Plate:Roller:Lower (B700)	1
28	B700 5412	Harness:Connecting:Sensor (B700)	1

Index No.	Part No.	Description	Q'ty Per Assembly
101	0451 3006N	Tapping Screw - 3x6	
102	0453 3014N	Binding Self Tapping Screw 3x14 (B700)	
103	0353 0040N	Screw - M3X4	
104	0720 0040E	Retaining Ring - M4	
105	0805 0089	Retaining Ring - M4	
106	1105 0522	Edge Saddle - LES0510 (B700)	
107	1105 0511	Harness Clamp - LWS-0306ZC	

17.Upper Exit Section 1 (B700/B701)

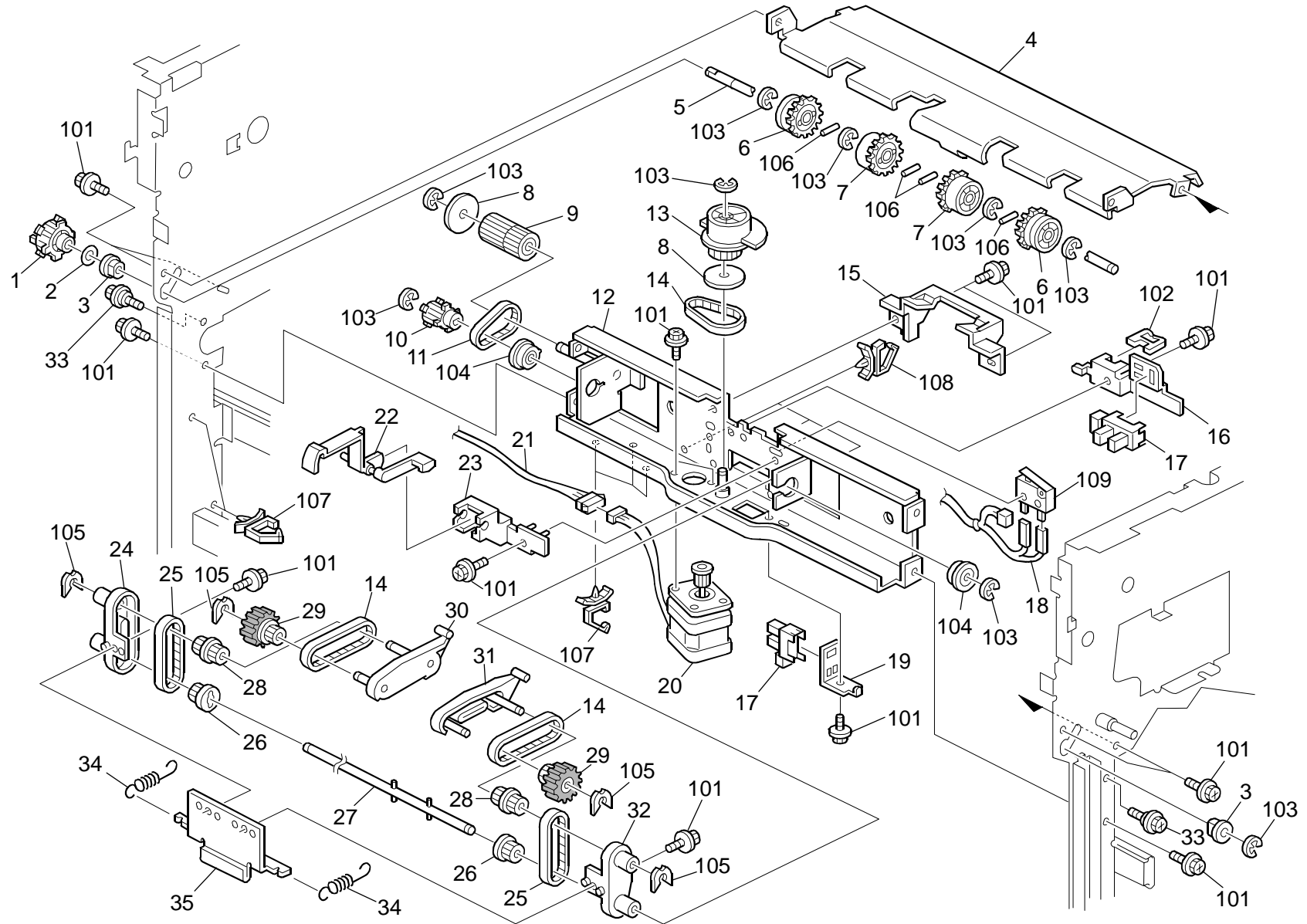


17.Upper Exit Section 1 (B700/B701)

Index No.	Part No.	Description	Q'ty Per Assembly
1	A353 3172	Actuator Bracket	1
2	A353 3173	Pressure Spring	1
3	B302 1145	Actuator - Paper Height Sensor	1
4	B700 3145	Bracket:Feeler:Plate	1
5	B700 3100	Stay:Drive:Guide Plate:Ass'y	1
6	B700 3150	Bracket:Surface Of Paper Sensor	1
7	AW02 0141	Photointerruptor	3
8	B700 5361	Harness:Connecting:Sensor:Exit	1
9	B700 3105	Bracket:Stepper Motor:Guide Plate	1
10	B700 5311	Harness:Exit:Open And Close:Motor	1
11	B700 5805	Stepper Motor:PM:S2M:T15:Ass'y	1
12	B700 3125	Timing Belt:B40S2M232	1
13	B700 3115	Worm Gear:37t	1
14	B700 3120	Worm Wheel:20z	1
15	B408 2833	Shaft - Worm Wheel	1
16	B700 3130	Bushing:Joint	1
17	B700 3140	Compression Spring	1
18	B700 3135	Joint:Guide Plate:Open And Close	1
19	5447 2681	Snap Ring	1
20	B700 5373	Harness:Connecting:Sensor	1
21	AW01 0109	Photo Refiection Sensor:PS117ED1	1
22	B700 3155	Guide Plate:Exit:Upper	1
23	B700 3156	Discharge Brush	1
24	G565 2135	Exit Plate	1
25	A681 2742	Driven Exit Roller	2
26	B700 3157	Shaft:Exit Roller:Driven	1

Index No.	Part No.	Description	Q'ty Per Assembly
101	0451 3006N	Tapping Screw - 3x6	
102	0720 0040E	Retaining Ring - M4	
103	0805 0089	Retaining Ring - M4	
104	1105 0516	Clamp	
105	1105 0328	Harness Clamp - ES-0505	
106	1105 0511	Harness Clamp - LWS-0306ZC	

18.Upper Exit Section 2 (B700/B701)

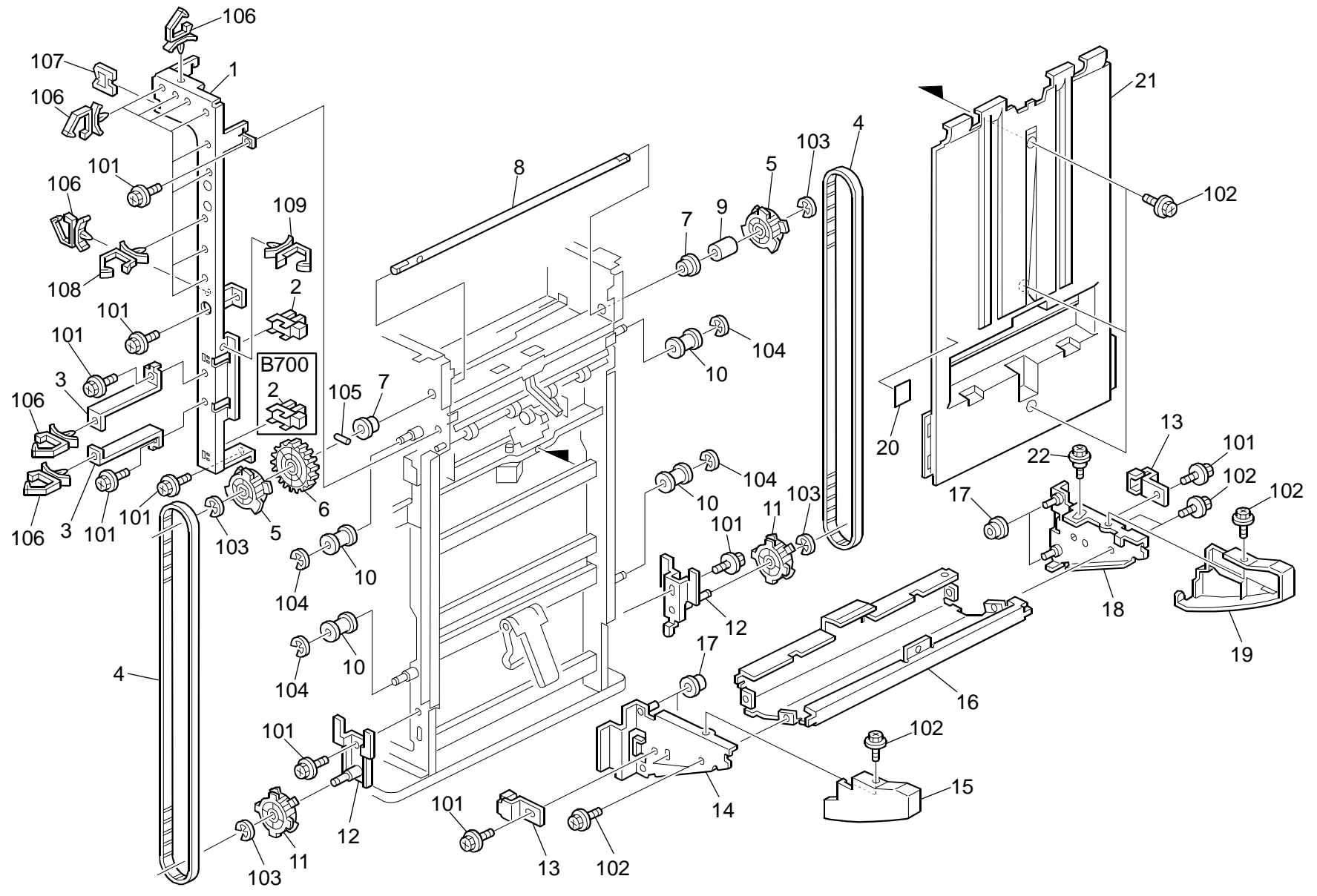


18.Upper Exit Section 2 (B700/B701)

Index No.	Part No.	Description	Q'ty Per Assembly
1	B352 1607	Timing Pulley - T20-S3M	1
2	H072 2220	Spacer - M6x10	1
3	5053 0447	Bushing - 6mm	2
4	B700 3160	Guide Plate:Exit:Lower	1
5	B700 3176	Shaft:Exit Roller	1
6	B352 2405	Outer Exit Roller	2
7	B352 2400	Exit Roller	2
8	B478 3569	Spacer	2
9	B700 3505	Timing Pulley:20/30t	1
10	B700 3520	Timing Pulley:18t	1
11	B700 3504	Timing Belt:B40S2M92	1
12	B700 3500	Stay:Uniform:Ass'y	1
13	B700 3575	Cam:Lever:Drive	1
14	B700 3535	Timing Belt:B40S2M116	3
15	B700 3570	Cam:Gathering Roller	1
16	B700 3560	Bracket:Sensor:Paper Sensor	1
17	AW02 0141	Photointerruptor	2
18	B700 5304	Harness:Surface of Paper Sensor	1
19	B700 3565	Bracket:Home Position Sensor	1
20	B700 5807	Stepper Motor:MM42:S2M:T15:Ass'y	1
21	B700 5415	Harness:Drive:Swivel:Motor	1
22	B700 3555	Feeler:Paper Sensor	1
23	B700 3550	Bracket:Feeler:Paper Sensor	1
24	B478 3507	Lever:Drive:Gathering Roller:Back	1
25	B478 3504	Timing Belt:B40S2M100	2
26	B478 3501	Pulley:Drive:Roller:Sponge	2
27	B700 3515	Shaft:Gathering Roller:Drive:Ass'y	1
28	B478 3502	Pulley:Driven:Roller:Sponge	2
29	B478 3503	Gathering Roller:Sponge	2
30	B700 3525	Lever:Driven:Gathering Roller:Front	1
31	B700 3530	Lever:Driven:Gathering Roller:Rear	1
32	B478 3506	Lever:Drive:Gathering Roller:Front	1
33	AA14 3823	Tapping Screw	2
34	B700 3545	Tension Spring	2
35	B700 3540	Bracket:Coupling:Lever:Drive	1

Index No.	Part No.	Description	Q'ty Per Assembly
101	0451 3006N	Tapping Screw - 3x6	
102	1105 0328	Harness Clamp - ES-0505	
103	0720 0040E	Retaining Ring - M4	
104	0805 3537	Ball Bearing:DIA6xDIA13x5:DIA14.5	
105	0805 0089	Retaining Ring - M4	
106	0632 0100G	Pin - 2x10mm	
107	1105 0487	Harness Clamp	
108	1105 0511	Harness Clamp - LWS-0306ZC	
109	1204 2520	Switch:DE2L-FJ20	

19. Paper Exit Section (B700/B701)

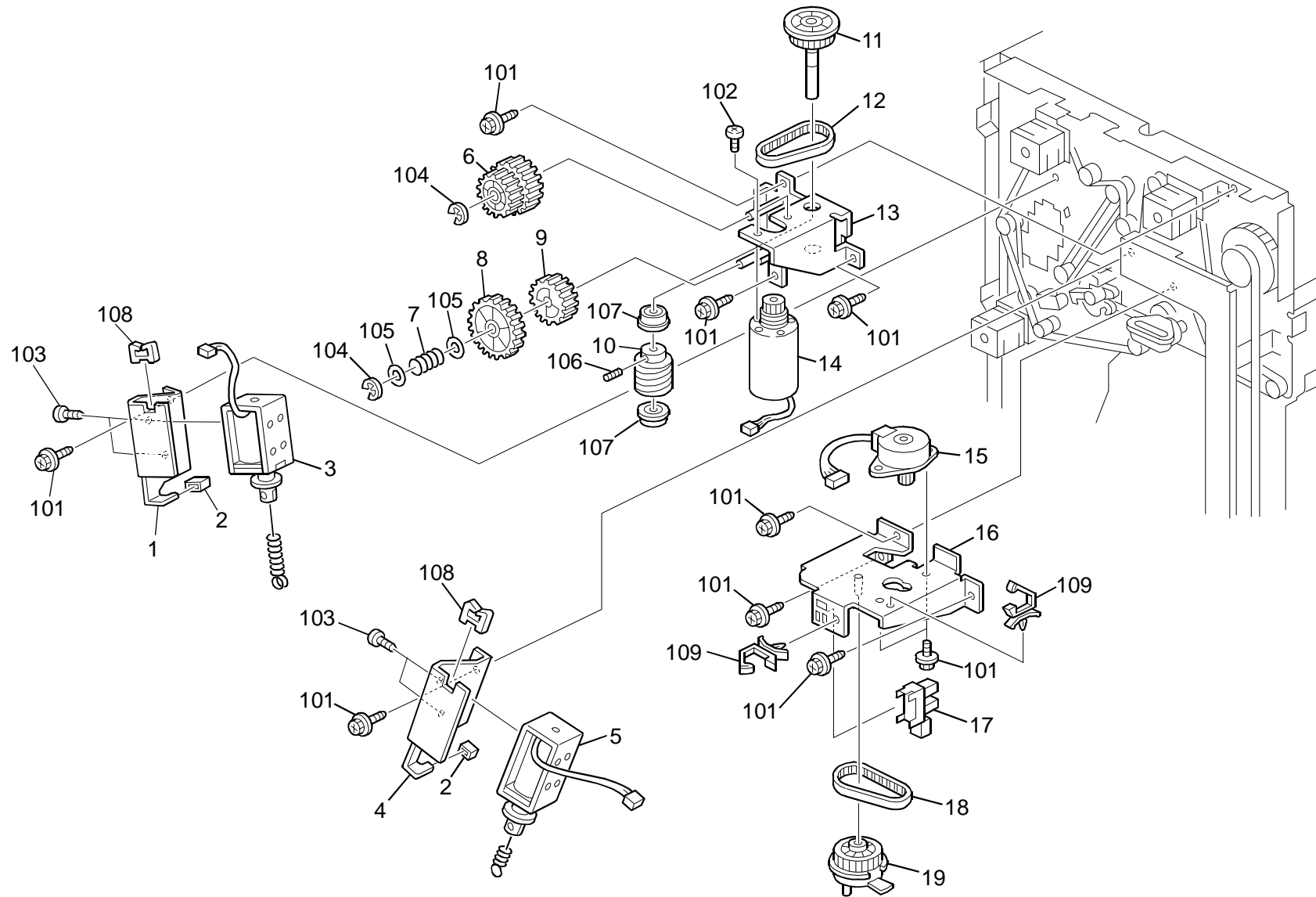


19.Paper Exit Section (B700/B701)

Index No.	Part No.	Description	Q'ty Per Assembly
1	B700 3325	Bracket:Sensor:Paper Volume Sensor	1
2	AW02 0114	Photo Interruptor - Lower Limit	1
3	B468 5991	Harness Bracket	2
4	B700 3320	Timing Belt:B60S5M1530	2
5	A697 3180	Pulley - 18T	2
6	A697 3170	Gear - 42Z	1
7	C203 5135	Bushing - 10x14x5.9	2
8	A697 3165	Tray Drive Shaft	1
9	A697 3175	Spacer - 10x14x13.5mm	1
10	A548 2139	Pulley	4
11	B700 3315	Timing Pulley:22t	2
12	B700 3310	Tightener:Tray:Drive:Ass'y	2
13	A697 3150	Fixing Plate - Timing Belt	2
14	B700 3405	Side Plate:Tray:Inner Back:Ass'y	1
15	B700 6165	Cover:Tray:Support:Rear	1
16	B700 3410	Base:Tray	1
17	A379 3316	Shift Guide Roller	4
18	B700 3400	Side Plate:Tray:Front:Ass'y	1
19	B700 6160	Cover:Tray:Support:Front	1
20	B700 7895	Decal:Paper Exit Sub-unit (B700)	1
21	B700 3165	End Fence:Bind:Yes (B700)	1
21	B701 3170	End Fence:Bind:No (B701)	1
22	AA14 3702	Screw:Pin:Positioning	1

Index No.	Part No.	Description	Q'ty Per Assembly
101	0451 3006N	Tapping Screw - 3x6	
102	0451 3008N	Tapping Screw - M3x8	
103	0720 0060E	Retaining Ring - M6	
104	0720 0040E	Retaining Ring - M4	
105	0634 0200G	Parallel Pin - 4x20	
106	1105 0488	Harness Clamp	
107	1105 0328	Harness Clamp - ES-0505	
108	1105 0490	Harness Clamp - IWS-2218	
109	1105 0511	Harness Clamp - LWS-0306ZC	

20. Drive Section 1 (B700/B701)

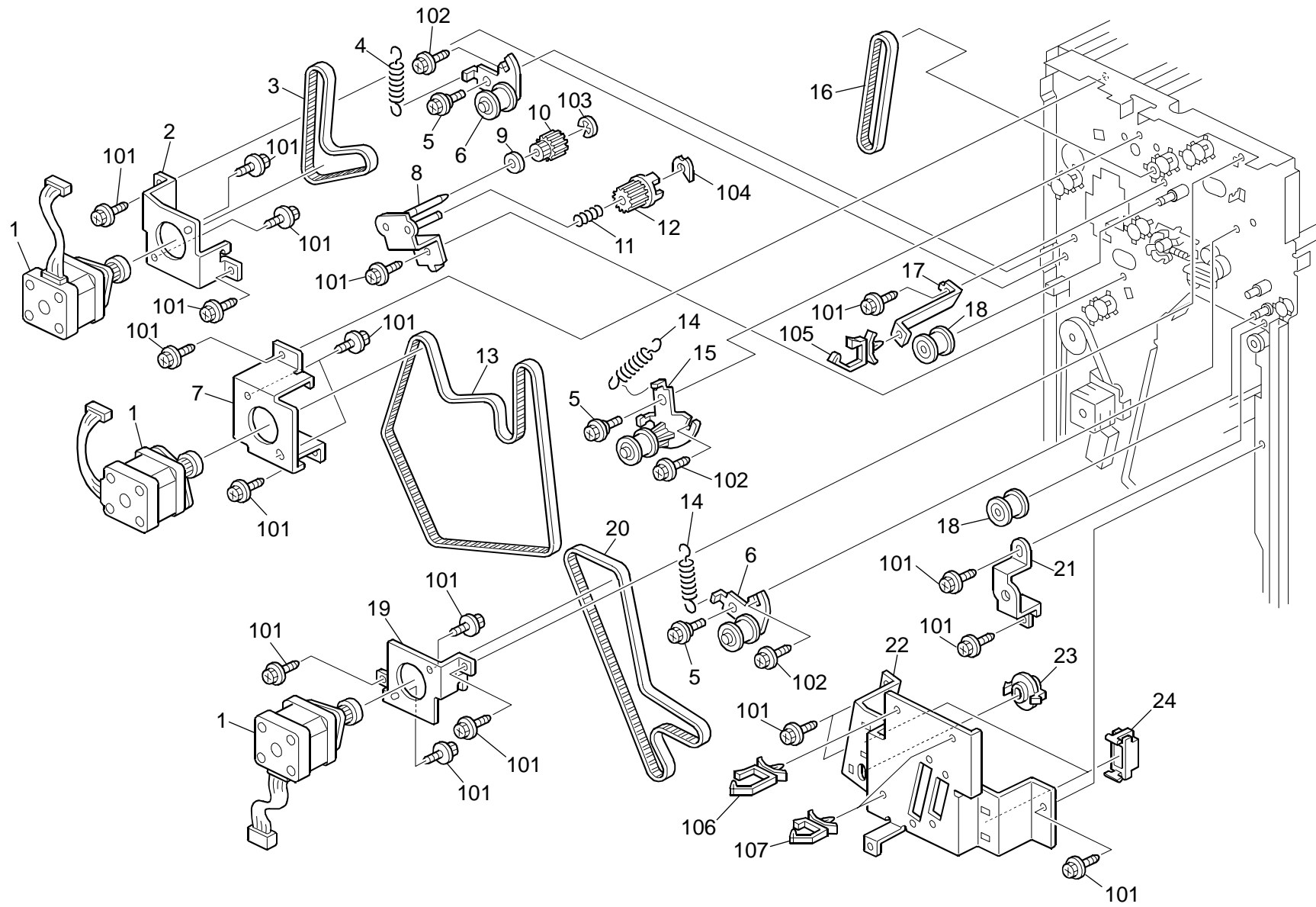


20. Drive Section 1 (B700/B701)

Index No.	Part No.	Description	Q'ty Per Assembly
1	B700 2515	Bracket:Dcsol:Gate Pawl:Staple	1
2	A697 2102	Damper - Junction Gate Solenoid	2
3	B700 2535	DC Solenoid:Gate Pawl:Staple:Ass'y	1
4	B700 2510	Bracket:Dcsol:Gate Pawl:Proof Tray	1
5	B700 2550	DC Solenoid:Gate Pawl:Ass'y	1
6	A697 3145	Gear - 36Z/18Z	1
7	A353 3113	Pressure Spring	1
8	A697 3140	Gear - 30Z	1
9	A697 3135	Gear - 18Z	1
10	A300 2736	Worm Gear	1
11	A697 3225	Worm Wheel Shaft	1
12	B700 3305	Timing Belt:B40S2M152	1
13	B700 3300	Bracket:Drive:Tray:Ass'y	1
14	AX06 0282	DC Motor:25.1W	1
15	B700 5813	Stepper Motor:PM:S2M:T12:Ass'y	1
16	B700 1675	Bracket:Shift:Drive:Ass'y	1
17	AW02 0141	Photointerruptor	1
18	B700 1680	Timing Belt:B40S2M142	1
19	B468 2425	Drive Pulley	1

Index No.	Part No.	Description	Q'ty Per Assembly
101	0451 3006N	Tapping Screw - 3x6	
102	0353 0060N	Philips Pan Head Bind Screw - M3x6	
103	0353 0040N	Screw - M3x4	
104	0720 0060E	Retaining Ring - M6	
105	0807 5056	Washer - 8.1mm	
106	0574 0040E	Hexagon Headless Set Screw - M4x4	
107	0741 3506	Ball Bearing - 6x12x4 Mm	
108	1105 0328	Harness Clamp - ES-0505	
109	1105 0511	Harness Clamp - LWS-0306ZC	

21. Drive Section 2 (B700/B701)

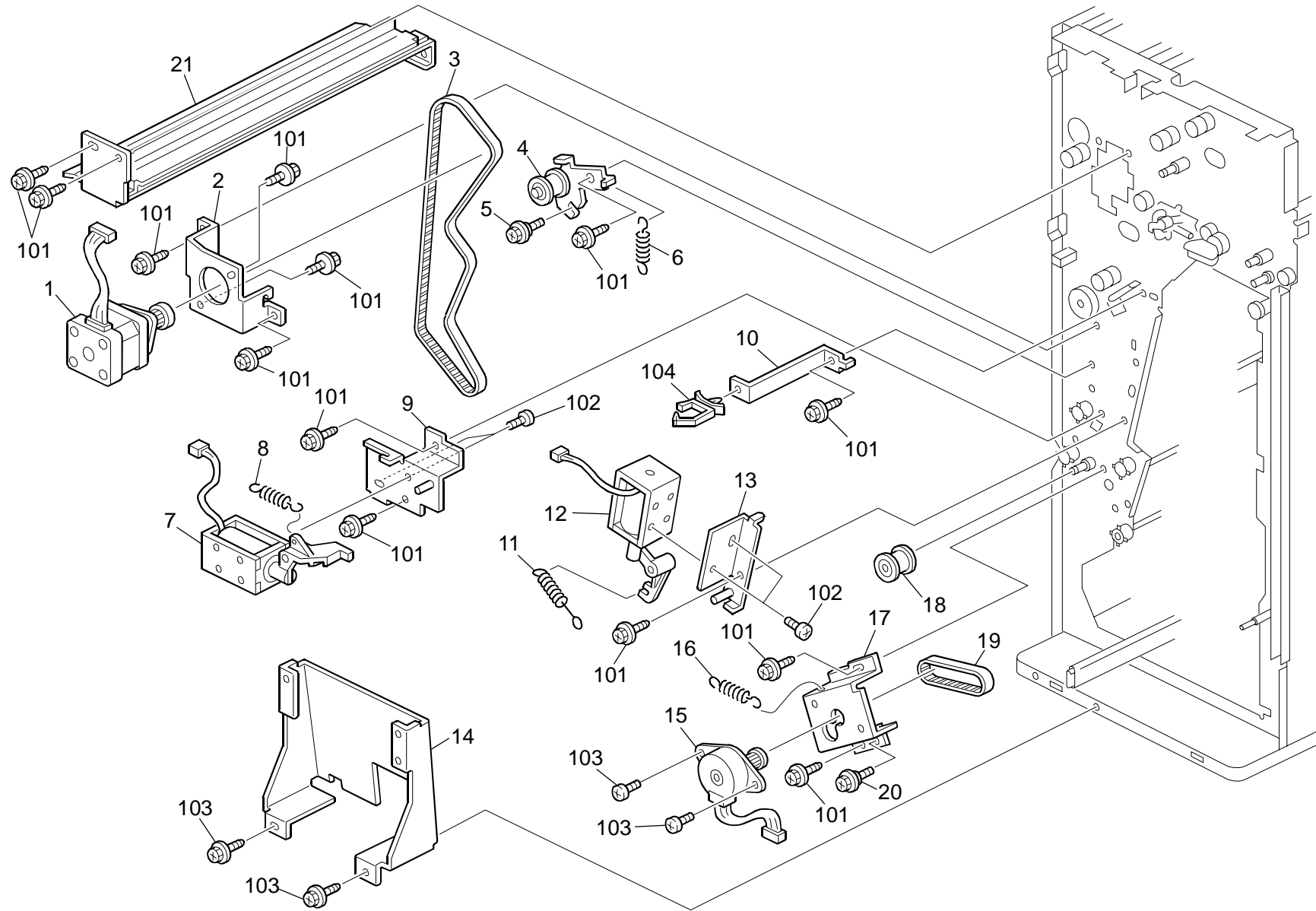


21. Drive Section 2 (B700/B701)

Index No.	Part No.	Description	Q'ty Per Assembly
1	B700 5806	Stepper Motor:MM42:S3M:T14:Ass'y	3
2	B700 1600	Bracket:Stepper Motor:Transport	1
3	B700 1610	Timing Belt:40S3M384	1
4	B700 1601	Tension Spring	1
5	AA14 3790	Screw:Contact Point	3
6	B312 1600	Tightener	2
7	B700 1640	Bracket:Stepper Motor:Transport	1
8	B700 1620	Bracket:Pulley:Punch:Move:Ass'y	1
9	AA13 2169	Spacer - 5.7x16x1.5	1
10	B700 1625	Gear:Pulley:14z/14t	1
11	B700 1635	Compression Spring	1
12	B700 1630	Gear:14z	1
13	B700 1670	Timing Belt:B40S3M927	1
14	A697 1518	Spring - Oil Blade	2
15	B312 1610	Tightener	1
16	B700 1615	Timing Belt:B40S3M303	1
17	B468 5991	Harness Bracket	1
18	B312 1615	Tension Roller	2
19	B700 3205	Bracket:Stepper Motor:Exit	1
20	B700 3215	Timing Belt:B40S3M648	1
21	B700 3210	Bracket:Support:Stud:Return	1
22	B700 1162	Bracket:Connector:Stapler Tray	1
23	B700 1165	Holder:Coupling:Stapler Unit	1
24	AG07 1012	Magnet Catch:Ass'y	2

Index No.	Part No.	Description	Q'ty Per Assembly
101	0451 3006N	Tapping Screw - 3x6	
102	0451 3008N	Tapping Screw - M3x8	
103	0720 0040E	Retaining Ring - M4	
104	0805 0089	Retaining Ring - M4	
105	1105 0508	Harness Clamp - LWS-0711 (B701)	
106	1105 0490	Harness Clamp - IWS-2218	
107	1105 0489	Harness Clamp - LWS 1316	

22. Drive Section 3 (B700/B701)

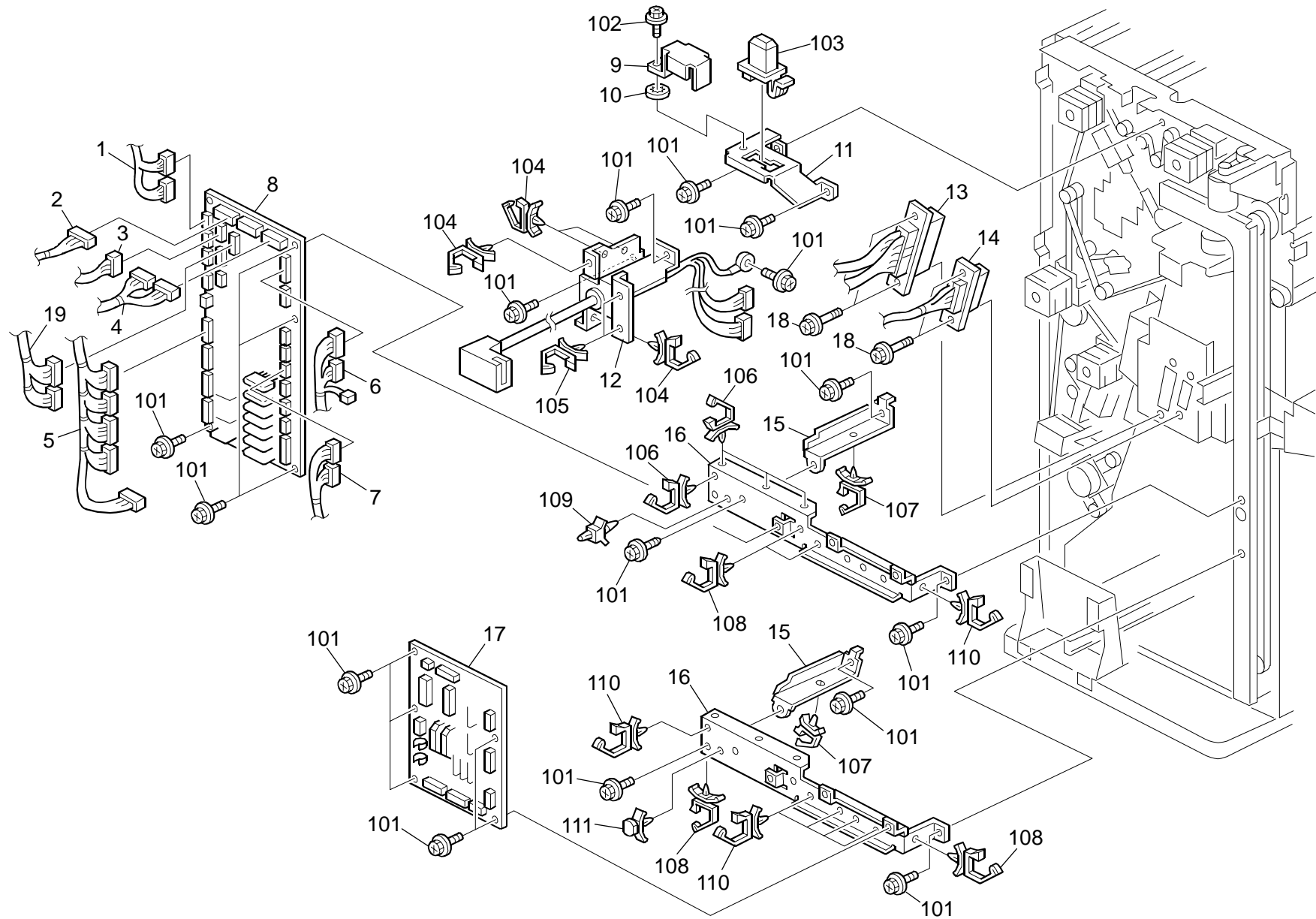


22. Drive Section 3 (B700/B701)

Index No.	Part No.	Description	Q'ty Per Assembly
1	B700 5806	Stepper Motor:MM42:S3M:T14:Ass'y	1
2	B700 1600	Bracket:Stepper Motor:Transport	1
3	B700 1702	Timing Belt:B40S3M789	1
4	B312 1600	Tightener	1
5	AA14 3790	Screw:Contact Point	1
6	A697 1518	Spring - Oil Blade	1
7	B700 2655	DC Solenoid:Gathering Roller:Ass'y	1
8	A300 3865	Release Spring	1
9	B700 2651	Bracket:Solenoid:Gathering Roller	1
10	B468 5991	Harness Bracket	1
11	B700 2667	Tension Spring:Solenoid:Plate (B700)	1
12	B700 2665	DC Solenoid:Plate:Ass'y (B700)	1
13	B700 2661	Bracket:Solenoid:Plate:Ass'y (B700)	1
14	B700 5957	Bracket:Main Control Board:Lower	1
15	B700 5803	Stepper Motor:PM:T17:Ass'y	1
16	B700 1803	Tension Spring	1
17	B700 1801	Bracket:Stepper Motor	1
18	B312 1615	Tension Roller	1
19	B700 1802	Timing Belt:B40S2M134	1
20	B700 4867	Screw:Contact Point:M3	1
21	B700 2235	Guide Plate:Punch Unit	1

Index No.	Part No.	Description	Q'ty Per Assembly
101	0451 3006N	Tapping Screw - 3x6	
102	0353 0040N	Screw - M3X4	
103	0453 3006N	Tapping Screw - M3x6	
104	1105 0508	Harness Clamp - LWS-0711 (B701)	

23. Electrical Section (B700/B701)

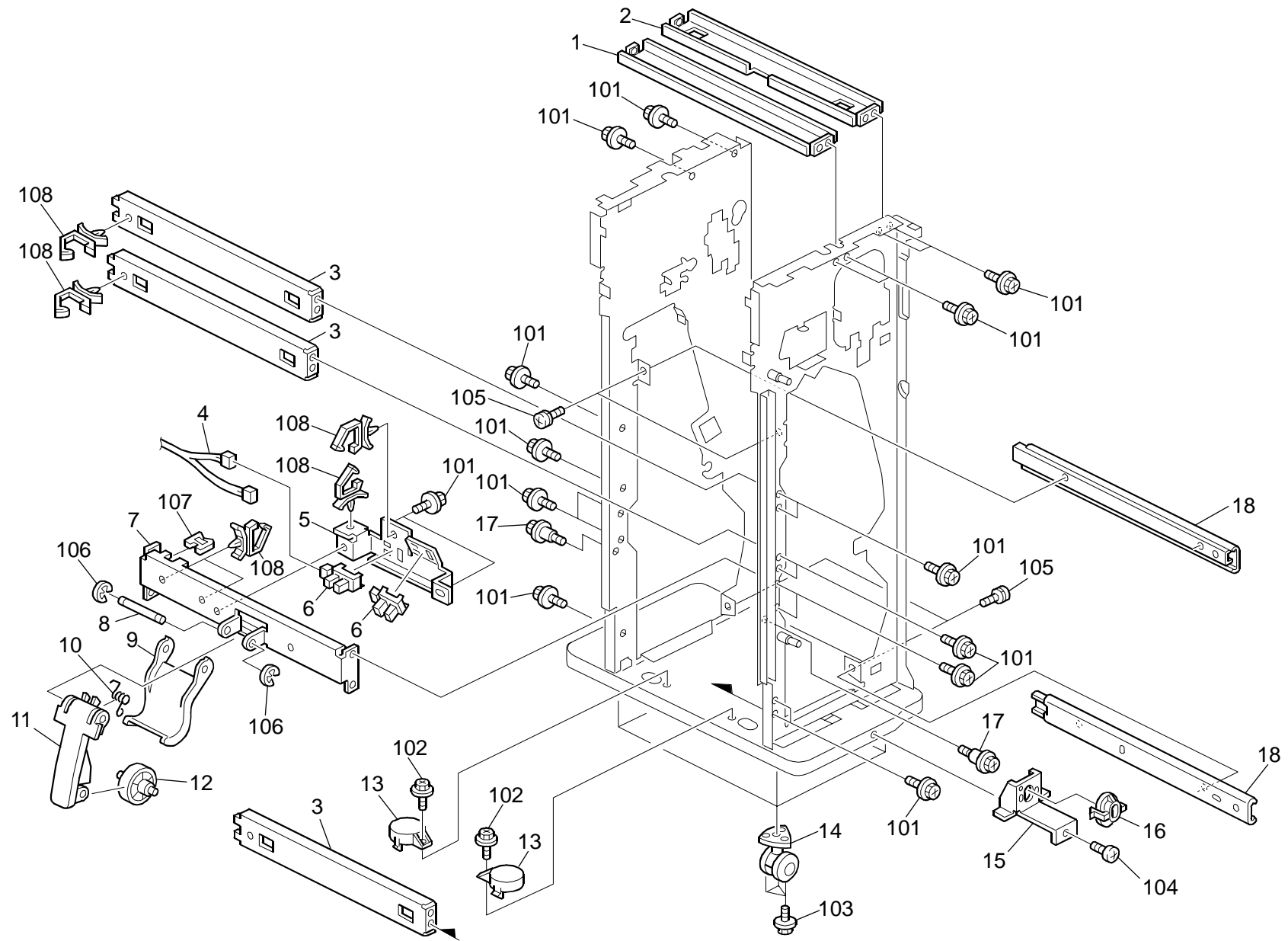


23.Electrical Section (B700/B701)

Index No.	Part No.	Description	Q'ty Per Assembly
1	B700 5460	Harness:Sensor	1
2	B700 5302	Harness:Entrance Sensor	1
3	B700 5465	Harness:Exit:Jogger	1
4	B700 5305	Harness:Exit:Tray	1
5	B700 5310	Harness:Stepper Motor	1
6	B700 5401	Harness:Staple (B700)	1
7	B700 5309	Harness:Exit:Tray	1
8	B700 5502	PCB:Main Control	1
9	B468 5998	Connector Cover	1
10	AA10 0006	Nut - M3.6	1
11	B700 3200	Bracket:Connector	1
12	B700 5350	Harness:Interface:Sub-ass'y	1
13	B700 5400	Harness:Staple:Middle:Sub-ass'y (B700)	1
14	B700 5306	Harness:Stapler Tray Unit	1
15	B700 5956	Bracket:Printed Circuit Board	2
16	B700 5955	Stay:Fix:Main Control Board	2
17	B700 5200	PCB:Stp:Control (B700)	1
18	B700 1163	Screw:Connector	4
19	B700 5451	Harness:Punch Unit	1

Index No.	Part No.	Description	Q'ty Per Assembly
101	0451 3006N	Tapping Screw - 3x6	
102	0451 4006N	Tapping Screw - 4x6	
103	1102 8534	Connector - QR/P17-14S-B	
104	1105 0516	Clamp	
105	1105 0487	Harness Clamp	
106	1105 0489	Harness Clamp - LWS 1316	
107	1105 0511	Harness Clamp - LWS-0306ZC	
108	1105 0508	Harness Clamp - LWS-0711 (B701)	
109	1105 0192	Locking Support	
110	1105 0488	Harness Clamp	
111	1105 0367	Spacer	

24.Frame Section (B700/B701)

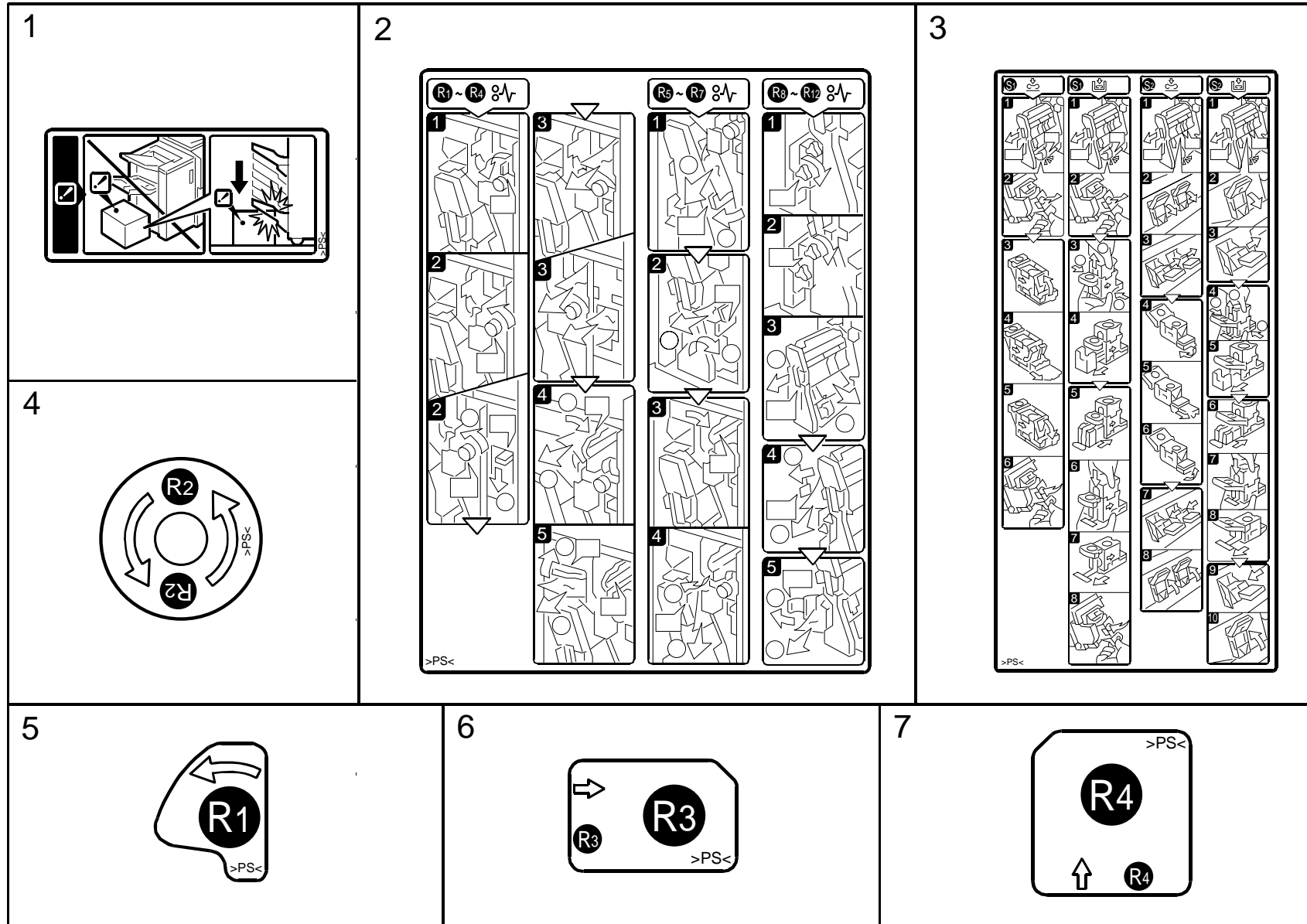


24.Frame Section (B700/B701)


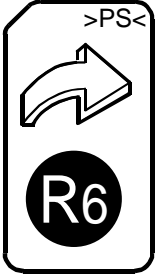
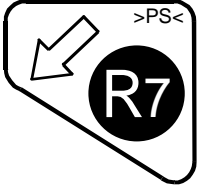

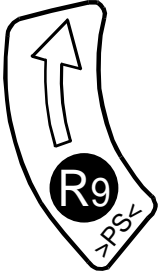
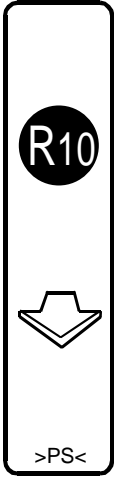
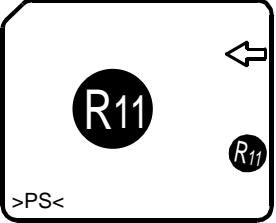
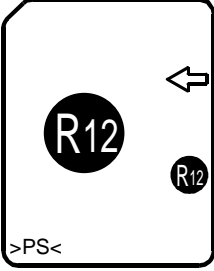
Index No.	Part No.	Description	Q'ty Per Assembly
1	B700 3163	Stay:Coupling	1
2	B700 3164	Stay:Coupling	1
3	B700 3165	End Fence:Bind:Yes (B700)	3
4	B700 5407	Harness:Paper Exit Sub-unit (B700)	1
5	B700 3710	Bracket:Surface Of Paper Sensor (B700)	1
6	AW02 0141	Photointerruptor	2
7	B700 3705	Guide Plate:Paper Exit Sub-unit (B700)	1
8	B700 3715	Shaft:Arm:Paper Exit Sub-unit (B700)	1
9	B700 3725	Arm:Plate:Paper Exit Sub-unit (B700)	1
10	B700 3740	Spring:Arm:16mn.m (B700)	1
11	B700 3720	Arm:Paper Senser:Paper Exit Sub-unit (B700)	1
12	B700 3730	Roller:Plate:Paper Exit Sub-unit (B700)	1
13	A697 1117	Base Plate Cap	2
14	AH01 2030	Caster:DIA50:400n	4
15	B700 1166	Bracket:Stopper:Stapler Unit (B700)	1
16	B700 1165	Holder:Coupling:Stapler Unit	1
17	AA14 3702	Screw:Pin:Positioning	2
18	B700 1161	Slide Rail:Stapler Unit:508mm (B700)	2
18	B701 1165	Slide Rail:432mm (B701)	2

Index No.	Part No.	Description	Q'ty Per Assembly
101	0451 3006N	Tapping Screw - 3x6	
102	0451 3008N	Tapping Screw - M3x8	
103	0802 5282	Tapping Screw - M4x8	
104	0453 3006N	Tapping Screw - M3x6	
105	0950 3005N	Screw:Spring Washer:M3x5	
106	0720 0040E	Retaining Ring - M4	
107	1105 0328	Harness Clamp - ES-0505	
108	1105 0511	Harness Clamp - LWS-0306ZC	

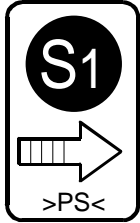
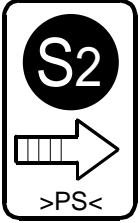
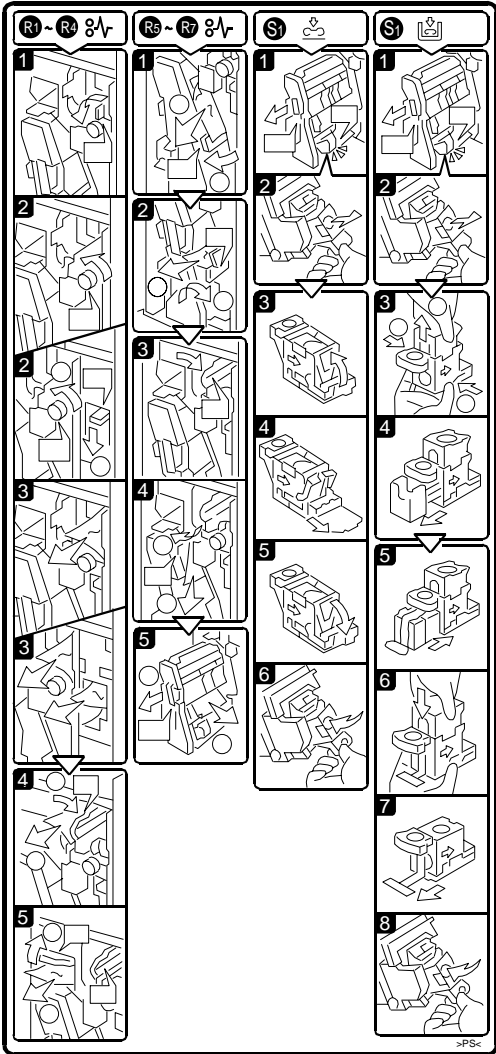
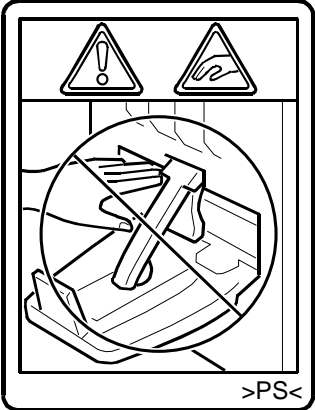
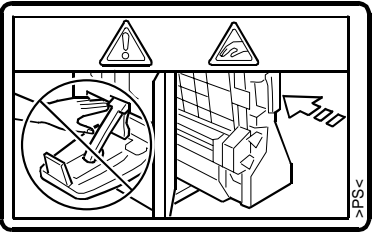

25. Decals And Documents (B700/B701)



25.Decals And Documents (B700/B701)

8 	9 	10 
11 	12 	13 
14 	15 	

25. Decals And Documents (B700/B701)

<p>16</p> 	<p>17</p> 	<p>20</p> 
<p>18</p> 	<p>19</p> 	
<p>21</p> 		

25.Decals And Documents (B700/B701)

Index No.	Part No.	Description	Q'ty Per Assembly
1	B468 7812	Caution Decal - Tray Fall	1
2	B700 7850	Decal: Misfeed Removal: Bind: Yes	1
3	B700 7851	Decal: Staple Exchange	1
4	B700 7861	Decal: Knob: Entrance: R1	1
5	B700 7862	Decal: Knob: Entrance: R2	1
6	B700 7863	Decal: Proof Tray: R3	1
7	B700 7864	Decal: Shift: R4	1
8	B700 7865	Decal: Vertical Transport: R5	1
9	B700 7866	Decal: Exit: R6	1
10	B700 7867	Decal: Turn: Open And Close: R7	1
11	B700 7868	Decal: Knob: Blade: R8	1
12	B700 7869	Decal: Knob: Roller: R9	1
13	B700 7870	Decal: Stapler Tray: R10	1
14	B700 7871	Decal: Transport Unit: R11	1
15	B700 7872	Decal: Paper Crimp Sub-unit: R12	1
16	B700 7891	Decal: Stapler: S1	1
17	B700 7892	Decal: Stapler: S2	1
18	B700 7895	Decal: Paper Exit Sub-unit	1
19	B700 7896	Decal: Caution	1
20	B701 7850	Decal: Misfeed Removal: Bind: No	1
21	B701 7888	Decal: Stapler Tray: R8	1

Index No.	Part No.	Description	Q'ty Per Assembly

Parts Index

Parts Index

Part No.	Description	Page and Index No.
B700 1031	Bracket:Ground Plate:Ass'y	3 - 22
B700 1072	Sheet:Guide:Punch:Ass'y	9 - 21
B700 1151	Stay:Coupling	11 - 14
B700 1161	Slide Rail:Stapler Unit:508mm (B700)	49 - 18
B700 1162	Bracket:Connector:Stapler Tray	43 - 22
B700 1163	Screw:Connector	47 - 18
B700 1165	Holder:Coupling:Stapler Unit	49 - 16
B700 1165	Holder:Coupling:Stapler Unit	43 - 23
B700 1166	Bracket:Stopper:Stapler Unit (B700)	49 - 15
B700 1170	Stay:Punch Unit:Slide:Ass'y	9 - 22
B700 1180	Discharge Brush:Punch Unit	9 - 20
B700 1182	Discharge Brush:Punch:Transport	9 - 23
B700 1185	Ground Plate:Toner Hopper:Punch	11 - 21
B700 1191	Bracket:Coupling:Ass'y	3 - 20
B700 1195	Bracket:Coupling:Front:Ass'y	3 - 21
B700 1197	Seal:Coupling:Finishing Sub-unit	3 - 19
B700 1600	Bracket:Stepper Motor:Transport	43 - 2
B700 1600	Bracket:Stepper Motor:Transport	45 - 2
B700 1601	Tension Spring	43 - 4
B700 1605	Timing Pulley:26t	5 - 23
B700 1605	Timing Pulley:26t	7 - 24
B700 1610	Timing Belt:40S3M384	43 - 3
B700 1615	Timing Belt:B40S3M303	43 - 16
B700 1620	Bracket:Pulley:Punch:Move:Ass'y	43 - 8
B700 1625	Gear:Pulley:14z/14t	43 - 10
B700 1630	Gear:14z	43 - 12
B700 1635	Compression Spring	43 - 11
B700 1640	Bracket:Stepper Motor:Transport	43 - 7
B700 1645	Timing Pulley:20t	11 - 18
B700 1645	Timing Pulley:20t	7 - 25
B700 1650	Gear:30z	9 - 29
B700 1660	Bracket:Gear:Middle:Ass'y	9 - 24
B700 1665	Gear:25z	9 - 28
B700 1670	Timing Belt:B40S3M927	43 - 13
B700 1675	Bracket:Shift:Drive:Ass'y	41 - 16

Part No.	Description	Page and Index No.
B700 1680	Timing Belt:B40S2M142	41 - 18
B700 1701	Timing Pulley:40t	11 - 19
B700 1702	Timing Belt:B40S3M789	45 - 3
B700 1801	Bracket:Stepper Motor	45 - 17
B700 1802	Timing Belt:B40S2M134	45 - 19
B700 1803	Tension Spring	45 - 16
B700 2008	Guide Plate:Entrance:Ass'y	5 - 6
B700 2100	Guide Plate:Connecting:Upper	5 - 26
B700 2105	Guide Plate:Connecting:Lower	5 - 25
B700 2110	Guide Plate:Entrance:Lower:Ass'y	5 - 15
B700 2119	Compression Spring:Entrance:Driven	5 - 16
B700 2125	Knob:Guide Plate:Entrance	5 - 8
B700 2126	Sheet:Entrance	5 - 9
B700 2130	Transport Roller:Entrance:Upper	5 - 13
B700 2135	Bushing:Transport Roller:Front	5 - 12
B700 2140	Bushing:Transport Roller:Rear	5 - 20
B700 2145	Bracket:Entrance Sensor	5 - 19
B700 2200	Tension Spring:Guide Plate:Move	5 - 1
B700 2205	Guide Plate:Punch Unit:Front:Upper	5 - 5
B700 2210	Guide Plate:Entrance:Upper	5 - 3
B700 2215	Guide Plate:Upper:Move	5 - 2
B700 2220	Transport Roller:Shift	9 - 10
B700 2225	Gear:30z	9 - 26
B700 2235	Guide Plate:Punch Unit	45 - 21
B700 2240	Guide Plate:Shift:Horizontal:Lower	9 - 9
B700 2241	Sheet:Guide:Staple	9 - 8
B700 2245	Guide Plate:Open And Close	9 - 1
B700 2300	Exit Roller:Proof Tray	7 - 14
B700 2305	Transport Roller:Short	11 - 6
B700 2310	Guide Plate:Proof Tray:Ass'y	7 - 12
B700 2313	Sheet:Guide:Proof Tray	7 - 13
B700 2315	Guide Plate:Proof Tray	7 - 18
B700 2316	Torsion Spring	7 - 21
B700 2317	Discharge Brush	7 - 11
B700 2320	Bracket:Sensor:Proof Tray	7 - 7

Part No.	Description	Page and Index No.
B700 2325	Transport Roller:Long	7 - 15
B700 2325	Transport Roller:Long	11 - 7
B700 2330	Guide Plate:Exit:Proof Tray	7 - 1
B700 2331	Bracket:Photointerruptor:Overflow	7 - 4
B700 2411	Guide Plate:Turn:Ass'y	11 - 4
B700 2421	Guide Plate:Turn:Open And Close	11 - 2
B700 2422	Tension Spring:Turn:Open And Close	11 - 3
B700 2431	Polarization Powl:Duplex Stack	11 - 8
B700 2432	Tension Spring	11 - 10
B700 2441	Guide Plate:Duplex Stack:Ass'y	11 - 13
B700 2452	Shaft:Turn:Guide	11 - 11
B700 2453	Guide:Turn	11 - 12
B700 2461	Transport Roller:Duplex Stack:Lower	13 - 7
B700 2471	Guide Plate:Lengthwise	13 - 4
B700 2473	Guide Plate:Lower:Open And Close	15 - 25
B700 2474	Discharge Brush:Exit:Stapler Tray	15 - 22
B700 2476	Compression Spring:Exit:Driven	13 - 2
B700 2476	Compression Spring:Exit:Driven	15 - 28
B700 2477	Discharge Brush:Exit:Stapler Tray	15 - 23
B700 2478	Tension Spring	15 - 24
B700 2481	Guide Plate:Lengthwise:Ass'y	13 - 10
B700 2485	Bracket:Sensor:Duplex Tray	13 - 12
B700 2486	Guide Plate:Exit:Stapler Tray	13 - 9
B700 2491	Exit Roller:Stapler Tray	13 - 8
B700 2500	Gate Pawl:Staple	9 - 17
B700 2505	Gate Pawl:Proof Tray	9 - 15
B700 2510	Bracket:Dcsol:Gate Pawl:Proof Tray	41 - 4
B700 2515	Bracket:Dcsol:Gate Pawl:Staple	41 - 1
B700 2520	Cushion:Gate Pawl	15 - 16
B700 2520	Cushion:Gate Pawl	9 - 14
B700 2525	Supporting Plate:Gate Pawl	9 - 11
B700 2530	Supporting Plate:Gate Pawl:Staple	9 - 16
B700 2535	DC Solenoid:Gate Pawl:Staple:Ass'y	41 - 3
B700 2540	Tension Spring	9 - 18
B700 2545	Tension Spring	9 - 12

Part No.	Description	Page and Index No.
B700 2550	DC Solenoid:Gate Pawl:Ass'y	41 - 5
B700 2611	Bracket:Gathering Roller	15 - 14
B700 2612	Shaft:Gathering Roller:Drive	15 - 13
B700 2621	Arm:Gathering Roller:Ass'y	15 - 10
B700 2625	Roller:Mm28 (B700)	15 - 3
B700 2631	Arm:Plate:Ass'y (B700)	15 - 1
B700 2635	Tension Spring (B700)	15 - 5
B700 2649	Timing Belt:40S2M144	15 - 8
B700 2651	Bracket:Solenoid:Gathering Roller	45 - 9
B700 2655	DC Solenoid:Gathering Roller:Ass'y	45 - 7
B700 2661	Bracket:Solenoid:Plate:Ass'y (B700)	45 - 13
B700 2665	DC Solenoid:Plate:Ass'y (B700)	45 - 12
B700 2667	Tension Spring:Solenoid:Plate (B700)	45 - 11
B700 2711	Stay:Swivel:Ass'y	15 - 34
B700 2721	Guide:Trailing Edge	15 - 30
B700 2722	Shaft>Contact Point:Swivel	15 - 29
B700 2723	Tension Spring:Release:Swivel	15 - 31
B700 2725	Arm:Solenoid:Swivel	15 - 32
B700 2729	Cushion:Arm	15 - 33
B700 2729	Cushion:Arm	5 - 27
B700 2731	DC Solenoid:Swivel:Ass'y	15 - 35
B700 3100	Stay:Drive:Guide Plate:Ass'y	35 - 5
B700 3105	Bracket:Stepper Motor:Guide Plate	35 - 9
B700 3115	Worm Gear:37t	35 - 13
B700 3120	Worm Wheel:20z	35 - 14
B700 3125	Timing Belt:B40S2M232	35 - 12
B700 3130	Bushing:Joint	35 - 16
B700 3135	Joint:Guide Plate:Open And Close	35 - 18
B700 3140	Compression Spring	35 - 17
B700 3145	Bracket:Feeler:Plate	35 - 4
B700 3150	Bracket:Surface Of Paper Sensor	35 - 6
B700 3155	Guide Plate:Exit:Upper	35 - 22
B700 3156	Discharge Brush	35 - 23
B700 3157	Shaft:Exit Roller:Driven	35 - 26
B700 3160	Guide Plate:Exit:Lower	37 - 4

Part No.	Description	Page and Index No.
B700 3163	Stay:Coupling	49 - 1
B700 3164	Stay:Coupling	49 - 2
B700 3165	End Fence:Bind:Yes (B700)	39 - 21
B700 3165	End Fence:Bind:Yes (B700)	49 - 3
B700 3176	Shaft:Exit Roller	37 - 5
B700 3200	Bracket:Connector	47 - 11
B700 3205	Bracket:Stepper Motor:Exit	43 - 19
B700 3210	Bracket:Support:Stud:Return	43 - 21
B700 3215	Timing Belt:B40S3M648	43 - 20
B700 3300	Bracket:Drive:Tray:Ass'y	41 - 13
B700 3305	Timing Belt:B40S2M152	41 - 12
B700 3310	Tightener:Tray:Drive:Ass'y	39 - 12
B700 3315	Timing Pulley:22t	39 - 11
B700 3320	Timing Belt:B60S5M1530	39 - 4
B700 3325	Bracket:Sensor:Paper Volume Sensor	39 - 1
B700 3400	Side Plate:Tray:Front:Ass'y	39 - 18
B700 3405	Side Plate:Tray:Inner Back:Ass'y	39 - 14
B700 3410	Base:Tray	39 - 16
B700 3415	Tray	3 - 9
B700 3420	Tray:Auxiliary	3 - 3
B700 3500	Stay:Uniform:Ass'y	37 - 12
B700 3504	Timing Belt:B40S2M92	37 - 11
B700 3505	Timing Pulley:20/30t	37 - 9
B700 3515	Shaft:Gathering Roller:Drive:Ass'y	37 - 27
B700 3520	Timing Pulley:18t	37 - 10
B700 3525	Lever:Driven:Gathering Roller:Front	37 - 30
B700 3530	Lever:Driven:Gathering Roller:Rear	37 - 31
B700 3535	Timing Belt:B40S2M116	37 - 14
B700 3540	Bracket:Coupling:Lever:Drive	37 - 35
B700 3545	Tension Spring	37 - 34
B700 3550	Bracket:Feeler:Paper Senser	37 - 23
B700 3555	Feeler:Paper Senser	37 - 22
B700 3560	Bracket:Sensor:Paper Senser	37 - 16
B700 3565	Bracket:Home Position Sensor	37 - 19
B700 3570	Cam:Gathering Roller	37 - 15

Part No.	Description	Page and Index No.
B700 3575	Cam:Lever:Drive	37 - 13
B700 3705	Guide Plate:Paper Exit Sub-unit (B700)	49 - 7
B700 3710	Bracket:Surface Of Paper Sensor (B700)	49 - 5
B700 3715	Shaft:Arm:Paper Exit Sub-unit (B700)	49 - 8
B700 3720	Arm:Paper Senser:Paper Exit Sub-unit (B700)	49 - 11
B700 3725	Arm:Plate:Paper Exit Sub-unit (B700)	49 - 9
B700 3730	Roller:Plate:Paper Exit Sub-unit (B700)	49 - 12
B700 3740	Spring:Arm:16mn.m (B700)	49 - 10
B700 3851	Tray:Paper Crimp Sub-unit (B700)	3 - 10
B700 4061	Paper Crimp Unit (B700)	29 - 19
B700 4100	Shaft:Slider:Standard Fence	25 - 10
B700 4102	Standard Fence:Front:Staple	25 - 13
B700 4103	Slider:Standard Fence	25 - 11
B700 4104	Guide:Entrance:Stapler:Inner Back	25 - 12
B700 4106	Standard Fence:Rear:Staple	25 - 14
B700 4107	Spring:Return:Standard Fence	25 - 7
B700 4159	Stay:Upper:Slide Rail	23 - 12
B700 4161	Stay:Middle:Stapler Tray	21 - 11
B700 4163	Stay:Guide:Stapler:Move	27 - 1
B700 4165	Stay:Lower:Slide Rail	25 - 19
B700 4167	Stay:Lower:Positioning Sensor	25 - 6
B700 4168	Sheet:Slider	25 - 5
B700 4170	Bracket:Positioning Sensor (B700)	21 - 6
B700 4180	Stapler Tray	19 - 16
B700 4181	Shaft:Idler:Exit	19 - 25
B700 4182	Guide:Transport:Stapler Tray (B700)	19 - 27
B700 4200	Shaft:Guide:Jogger Fence	19 - 26
B700 4201	Jogger Fence:Front:Ass'y (B700)	19 - 22
B700 4204	Jogger Fence:Rear:Ass'y (B700)	19 - 23
B700 4207	Bracket:Sensor:Jogger	19 - 20
B700 4209	Pulley:32t	19 - 18
B700 4210	Bracket:Motor:Jogger:Ass'y	19 - 19
B700 4213	Timing Belt:1040S2M4-E	19 - 14
B700 4250	Exit Belt:Ass'y	19 - 15
B700 4255	Bracket:Home Position Sensor:Pawl	21 - 10

Part No.	Description	Page and Index No.
B700 4258	Shaft:Exit	19 - 2
B700 4259	Exit Roller:MM45 (B700)	19 - 4
B700 4260	Collar:Mm40	19 - 3
B700 4261	Timing Pulley:55t	19 - 5
B700 4265	Bracket:Tightener:Exit:Fix	21 - 4
B700 4267	Bracket:Tightener:Exit:Ass'y	21 - 3
B700 4271	Timing Pulley:55t	19 - 8
B700 4272	Timing Pulley:30t (B700)	23 - 18
B700 4273	Timing Pulley:30t	25 - 21
B700 4273	Timing Pulley:30t	23 - 22
B700 4275	Timing Belt:B40S2M474	25 - 23
B700 4276	Tension Spring	21 - 5
B700 4300	Shaft:Guide:Stapler	27 - 4
B700 4302	Bracket:Drive:Stapler:Move:Ass'y	27 - 30
B700 4305	Gear Pulley:52z/20t	27 - 31
B700 4308	Bracket:Tightener:Stapler:Ass'y	25 - 17
B700 4311	Guide:Stapler:Entrance:Upper	27 - 25
B700 4312	Guide:Stapler:Entrance:Lower	27 - 24
B700 4313	Bracket:Fix:Stapler:Ass'y	27 - 22
B700 4316	Bracket:Stapler:Turn:Ass'y	27 - 21
B700 4320	Bracket:Stapler:Slide:Ass'y	27 - 15
B700 4324	Bracket:Sensor:Diagonal,slanted	27 - 11
B700 4326	Worm Gear:Pulley:19t	27 - 19
B700 4327	Timing Belt:B40S2M90	27 - 18
B700 4329	Bracket:Stapler:Move:Ass'y	27 - 7
B700 4333	Roller:Guide:Slide:Stapler	27 - 13
B700 4334	Guide:Slide:Stapler	27 - 10
B700 4335	Timing Belt:B60S3M954	27 - 5
B700 4336	Inner Cover:Stapler	27 - 27
B700 4337	Tension Spring	27 - 32
B700 4352	Sheet:Guide:Stapler (B700)	21 - 16
B700 4353	Stay:Middle:Stapler Tray:Small (B700)	21 - 19
B700 4354	Guide:Stapler:Middle (B700)	21 - 21
B700 4355	Guide:Stapler:Middle (B700)	21 - 20
B700 4356	Cover:Harness:Stapler (B700)	21 - 18

Part No.	Description	Page and Index No.
B700 4401	Guide Plate:Pressure:Reverse:Stapler Tray (B7	17 - 18
B700 4402	Supporting Plate:Pressure:Ass'y (B700)	17 - 13
B700 4405	Guide:Leading Edge:Front (B700)	17 - 15
B700 4406	Guide:Leading Edge:Rear (B700)	17 - 22
B700 4407	Sheet:Plate:Leading Edge (B700)	17 - 20
B700 4408	Guide:Leading Edge:Outer (B700)	17 - 14
B700 4410	Roller:DIA22 (B700)	17 - 16
B700 4411	Shaft:Driven:Turn (B700)	17 - 17
B700 4412	Tension Spring:Pressure:Turn (B700)	17 - 12
B700 4414	Guide Plate:Reverse:Front (B700)	17 - 5
B700 4415	Guide Plate:Reverse:Inner Back (B700)	17 - 6
B700 4416	Supporting Plate:Reverse:Ass'y (B700)	17 - 4
B700 4419	Slider:Guide:Reverse (B700)	17 - 2
B700 4422	Lever:Reverse:Stapler Tray:Ass'y (B700)	17 - 3
B700 4425	Shaft:Drive:Cam (B700)	23 - 10
B700 4426	Cam:Guide Plate:Front (B700)	23 - 9
B700 4427	Cam:Guide Plate:Inner Back (B700)	23 - 11
B700 4428	Timing Belt:B40S2M158 (B700)	23 - 20
B700 4429	Gear:Pulley:17z/48t (B700)	23 - 21
B700 4430	Gear:43z (B700)	23 - 19
B700 4431	Guide:Leading Edge:Upper (B700)	17 - 19
B700 4450	Guide Plate:Transport Unit (B700)	23 - 8
B700 4454	Guide Plate:Transport Unit (B700)	23 - 6
B700 4455	Shaft:Driven:Transport Unit (B700)	23 - 4
B700 4457	Transport Roller:Transport Unit (B700)	23 - 13
B700 4521	Holder:Arm:Harness	25 - 25
B700 4522	Arm:Harness:Stapler Unit	25 - 26
B700 4523	Pin:Fix:Arm	25 - 27
B700 4524	Bracket:Stapler Tray:Moveable	25 - 3
B700 4540	Inner Cover:Stapler Unit	17 - 11
B700 4713	Compression Spring (B700)	33 - 23
B700 4715	Exit Roller:Paper Crimp Sub-Unit (B700)	33 - 25
B700 4718	Pulley:27t (B700)	31 - 6
B700 4720	Timing Belt:B40S2M214 (B700)	33 - 11
B700 4720	Timing Belt:B40S2M214 (B700)	31 - 5

Part No.	Description	Page and Index No.
B700 4745	Guide Plate:Exit:Lower (B700)	33 - 26
B700 4753	Guide Plate:Exit:Upper (B700)	33 - 19
B700 4755	Shaft:Driven (B700)	33 - 5
B700 4757	Compression Spring:Transport Roller (B700)	33 - 1
B700 4759	Discharge Brush:Exit (B700)	33 - 20
B700 4763	Guide Plate:Roller:Lower (B700)	33 - 27
B700 4770	Bracket:Home Position Sensor:Blade (B700)	31 - 8
B700 4781	Gear:62t (B700)	31 - 11
B700 4782	Pulley:31t (B700)	31 - 10
B700 4784	Pulley:22t (B700)	29 - 15
B700 4785	Timing Belt:B80S3M156 (B700)	29 - 5
B700 4787	Timing Belt:B80S3M237 (B700)	29 - 4
B700 4790	Bracket:Auxiliary:Rear (B700)	29 - 6
B700 4797	Bracket:Motor:MM56 (B700)	29 - 3
B700 4805	Stay:Release:Transport (B700)	33 - 13
B700 4810	Shaft:Driven:Release (B700)	33 - 4
B700 4821	Cam:Release:Transport (B700)	33 - 9
B700 4823	Gear:56z (B700)	33 - 10
B700 4825	Gear:28z (B700)	33 - 12
B700 4827	Joint:Release:Transport (B700)	33 - 7
B700 4829	Spacer:Release:Transport (B700)	33 - 6
B700 4835	Bracket:Paper Feed Sensor (B700)	33 - 14
B700 4867	Screw:Contact Point:M3	45 - 20
B700 4873	Guide:Open And Close:Front (B700)	29 - 10
B700 4874	Guide:Open And Close:Rear (B700)	29 - 9
B700 4875	Guide Plate:Open And Close:Lower (B700)	29 - 8
B700 4877	Grip:Guide Plate (B700)	29 - 14
B700 4879	Bracket:Contact Point (B700)	29 - 7
B700 4885	Knob:Paper Crimp (B700)	31 - 1
B700 4891	Inner Cover (B700)	31 - 2
B700 4895	Cover:Drive (B700)	29 - 1
B700 4897	Cover:Upper (B700)	29 - 16
B700 5200	PCB:Stp:Control (B700)	47 - 17
B700 5301	Harness:Safety Switch	5 - 24
B700 5302	Harness:Entrance Sensor	47 - 2

Part No.	Description	Page and Index No.
B700 5304	Harness:Surface of Paper Sensor	37 - 18
B700 5305	Harness:Exit:Tray	47 - 4
B700 5306	Harness:Stapler Tray Unit	47 - 14
B700 5309	Harness:Exit:Tray	47 - 7
B700 5310	Harness:Stepper Motor	47 - 5
B700 5311	Harness:Exit:Open And Close:Motor	35 - 10
B700 5317	Harness:Motor:Stapler Unit	25 - 29
B700 5350	Harness:Interface:Sub-ass'y	47 - 12
B700 5361	Harness:Connecting:Sensor:Exit	35 - 8
B700 5365	Harness:Connecting:Sensor	7 - 3
B700 5366	Harness:Connecting:Sensor	7 - 5
B700 5367	Harness:Sensor:Stapler Tray	25 - 1
B700 5368	Harness:Connecting:Stapler	27 - 28
B700 5371	Harness:Connecting:Sensor	27 - 2
B700 5373	Harness:Connecting:Sensor	35 - 20
B700 5400	Harness:Staple:Middle:Sub-ass'y (B700)	47 - 13
B700 5401	Harness:Staple (B700)	47 - 6
B700 5405	Harness:Stapler:Staple Exchange (B700)	21 - 17
B700 5407	Harness:Paper Exit Sub-unit (B700)	49 - 4
B700 5410	Harness:Sensor (B700)	33 - 16
B700 5411	Harness:Sensor:Plate:End Fence (B700)	31 - 12
B700 5412	Harness:Connecting:Sensor (B700)	33 - 28
B700 5413	Harness:Staple:Motor (B700)	25 - 28
B700 5414	Harness:Gate:Open And Close:Motor (B700)	23 - 15
B700 5415	Harness:Drive:Swivel:Motor	33 - 17
B700 5415	Harness:Drive:Swivel:Motor	37 - 21
B700 5418	Harness:Connecting:Sensor (B700)	21 - 8
B700 5419	Harness:Connecting:Sensor	25 - 9
B700 5420	Harness:Staple:Middle:Sub-ass'y (B700)	25 - 2
B700 5451	Harness:Punch Unit	47 - 19
B700 5460	Harness:Sensor	47 - 1
B700 5465	Harness:Exit:Jogger	47 - 3
B700 5502	PCB:Main Control	47 - 8
B700 5801	Stepper Motor:Ass'y	27 - 12
B700 5802	Stepper Motor:PM:S2M:T12:Ass'y (B700)	23 - 14

Part No.	Description	Page and Index No.
B700 5803	Stepper Motor:PM:T17:Ass'y	45 - 15
B700 5804	Stepper Motor:DIA42:Z17:Ass'y	31 - 7
B700 5804	Stepper Motor:DIA42:Z17:Ass'y	19 - 17
B700 5805	Stepper Motor:PM:S2M:T15:Ass'y	35 - 11
B700 5806	Stepper Motor:MM42:S3M:T14:Ass'y	43 - 1
B700 5806	Stepper Motor:MM42:S3M:T14:Ass'y	45 - 1
B700 5807	Stepper Motor:MM42:S2M:T15:Ass'y	37 - 20
B700 5808	Stepper Motor:Exit:Ass'y	25 - 4
B700 5809	Stepper Motor:Stapler:Moveable:Ass'y	27 - 29
B700 5810	Stepper Motor:MM39:S2M:T15:Ass'y (B700)	33 - 18
B700 5812	Stepper Motor:MM56:S3M:T14:Ass'y (B700)	29 - 2
B700 5813	Stepper Motor:PM:S2M:T12:Ass'y	41 - 15
B700 5955	Stay:Fix:Main Control Board	47 - 16
B700 5956	Bracket:Printed Circuit Board	47 - 15
B700 5957	Bracket:Main Control Board:Lower	45 - 14
B700 6100	Inner Cover:Upper	9 - 31
B700 6105	Inner Cover:Lower	13 - 15
B700 6110	Inner Cover:Right Upper	5 - 28
B700 6115	Cover:Front	3 - 16
B700 6120	Hinge:Door:Lower:Ass'y	3 - 15
B700 6125	Hinge:Door:Upper:Ass'y	3 - 14
B700 6130	Cover:Upper	3 - 5
B700 6136	Cover:Upper:Small	3 - 2
B700 6145	Cover:Left:Front	3 - 11
B700 6150	Cover:Left Upper	3 - 7
B700 6155	Cover:Jogger	3 - 8
B700 6160	Cover:Tray:Support:Front	39 - 19
B700 6165	Cover:Tray:Support:Rear	39 - 15
B700 6170	Cover:Rear	3 - 6
B700 7850	Decal:Misfeed Removal:Bind:Yes (B700)	3 - 12
B700 7850	Decal:Misfeed Removal:Bind:Yes	53 - 2
B700 7851	Decal:Staple Exchange (B700)	3 - 13
B700 7851	Decal:Staple Exchange	53 - 3
B700 7852	Stapler:Service Parts:Ass'y	21 - 13
B700 7861	Decal:Knob:Entrance:R1	5 - 7

Part No.	Description	Page and Index No.
B700 7861	Decal:Knob:Entrance:R1	53 - 4
B700 7862	Decal:Knob:Entrance:R2	5 - 10
B700 7862	Decal:Knob:Entrance:R2	53 - 5
B700 7863	Decal:Proof Tray:R3	7 - 16
B700 7863	Decal:Proof Tray:R3	53 - 6
B700 7864	Decal:Shift:R4	53 - 7
B700 7864	Decal:Shift:R4	9 - 2
B700 7865	Decal:Vertical Transport:R5	53 - 8
B700 7865	Decal:Vertical Transport:R5	13 - 5
B700 7866	Decal:Exit:R6	53 - 9
B700 7866	Decal:Exit:R6	15 - 21
B700 7867	Decal:Turn:Open And Close:R7	53 - 10
B700 7867	Decal:Turn:Open And Close:R7	9 - 32
B700 7868	Decal:Knob:Blade:R8 (B700)	31 - 4
B700 7868	Decal:Knob:Blade:R8	53 - 11
B700 7869	Decal:Knob:Roller:R9	53 - 12
B700 7869	Decal:Knob:Roller:R9 (B700)	31 - 3
B700 7870	Decal:Stapler Tray:R10 (B700)	17 - 10
B700 7870	Decal:Stapler Tray:R10	53 - 13
B700 7871	Decal:Transport Unit:R11 (B700)	23 - 5
B700 7871	Decal:Transport Unit:R11	53 - 14
B700 7872	Decal:Paper Crimp Sub-unit:R12	53 - 15
B700 7872	Decal:Paper Crimp Sub-unit:R12 (B700)	29 - 13
B700 7891	Decal:Stapler:S1	53 - 16
B700 7891	Decal:Stapler:S1	27 - 26
B700 7892	Decal:Stapler:S2	53 - 17
B700 7892	Decal:Stapler:S2 (B700)	17 - 9
B700 7895	Decal:Paper Exit Sub-unit (B700)	39 - 20
B700 7895	Decal:Paper Exit Sub-unit	53 - 18
B700 7896	Decal:Caution	53 - 19
B700 7896	Decal:Caution (B700)	29 - 17
B701 1165	Slide Rail:432mm (B701)	49 - 18
B701 3170	End Fence:Bind:No (B701)	39 - 21
B701 4161	Cover:Stay:Middle (B701)	21 - 22
B701 4162	Cover:Stay:Middle:Behind (B701)	21 - 12

Part No.	Description	Page and Index No.
B701 4201	Jogger Fence:Front:Ass'y (B701)	19 - 22
B701 4204	Jogger Fence:Rear:Ass'y (B701)	19 - 23
B701 4271	Bracket:Idler:Ass'y (B701)	23 - 23
B701 4500	Guide Plate:Exit (B701)	17 - 21
B701 7850	Decal:Misfeed Removal:Bind:No (B701)	3 - 12
B701 7850	Decal:Misfeed Removal:Bind:No	53 - 20
B701 7888	Decal:Stapler Tray:R8 (B701)	17 - 10
B701 7888	Decal:Stapler Tray:R8	53 - 21

Part No.	Description	Page and Index No.
A300 2736	Worm Gear	41 - 10
A300 3865	Release Spring	45 - 8
A353 2243	Lever Knob	11 - 1
A353 3113	Pressure Spring	41 - 7
A353 3172	Actuator Bracket	35 - 1
A353 3173	Pressure Spring	35 - 2
A376 1343	Original Pressure Roller	27 - 16
A379 3316	Shift Guide Roller	39 - 17
A458 2251	Cushion - Bin Solenoid Lever	9 - 13
A458 2251	Cushion - Bin Solenoid Lever	11 - 9
A458 2251	Cushion - Bin Solenoid Lever	15 - 20
A498 4625	Arm Cushion	15 - 2
A548 2139	Pulley	39 - 10
A612 2435	Support Plate	13 - 1
A666 3180	Timing Pulley - Z32	21 - 2
A666 3180	Timing Pulley - Z32	19 - 24
A666 4270	Roller:Driven:Entrance	5 - 4
A680 4223	Cushion	15 - 17
A681 2742	Driven Exit Roller	35 - 25
A697 1117	Base Plate Cap	49 - 13
A697 1128	Joint Lever	11 - 15
A697 1518	Spring - Oil Blade	25 - 18
A697 1518	Spring - Oil Blade	43 - 14
A697 1518	Spring - Oil Blade	19 - 9
A697 1518	Spring - Oil Blade	45 - 6
A697 1606	Spacer - 6x12x2.7mm	7 - 22
A697 1606	Spacer - 6x12x2.7mm	5 - 21
A697 2102	Damper - Junction Gate Solenoid	41 - 2
A697 2102	Damper - Junction Gate Solenoid	15 - 36
A697 2187	Pressure Spring - 14.1mm	7 - 8
A697 3135	Gear - 18Z	41 - 9
A697 3140	Gear - 30Z	41 - 8
A697 3145	Gear - 36Z/18Z	41 - 6
A697 3150	Fixing Plate - Timing Belt	39 - 13
A697 3165	Tray Drive Shaft	39 - 8

Part No.	Description	Page and Index No.
A697 3170	Gear - 42Z	39 - 6
A697 3175	Spacer - 10x14x13.5mm	39 - 9
A697 3180	Pulley - 18T	39 - 5
A697 3225	Worm Wheel Shaft	41 - 11
A697 4140	Sector Gear - 144z	27 - 17
A697 4170	Pulley - 32T	19 - 12
B132 1226	Holder:Stand	3 - 23
B302 1145	Actuator - Paper Height Sensor	35 - 3
B302 2216	Exit Guide - Upper Exit Guide	7 - 10
B302 4292	Belt Holder	27 - 9
B312 1600	Tightener	25 - 22
B312 1600	Tightener	43 - 6
B312 1600	Tightener	45 - 4
B312 1610	Tightener	43 - 15
B312 1615	Tension Roller	43 - 18
B312 1615	Tension Roller	45 - 18
B352 1600	Timing Pulley - S2M T24	15 - 15
B352 1607	Timing Pulley - T20-S3M	37 - 1
B352 1607	Timing Pulley - T20-S3M	13 - 13
B352 1607	Timing Pulley - T20-S3M	11 - 17
B352 2205	Bushing - Driven Roller (B700)	23 - 2
B352 2400	Exit Roller	37 - 7
B352 2405	Outer Exit Roller	37 - 6
B352 2650	Magnet Catch - 5n (B700)	29 - 11
B352 4318	Bushing - Lower Slider	27 - 8
B408 2113	Guide - Trailing Edge	15 - 19
B408 2173	Slide Roller	9 - 6
B408 2174	Spring	9 - 5
B408 2175	Bushing - Roller Slide	9 - 3
B408 2281	Knob - Transfer Roller	5 - 11
B408 2312	Bushing - Roller Slide	9 - 33
B408 2422	Pulley - T16	15 - 7
B408 2435	Gathering Roller:Ass'y	15 - 6
B408 2833	Shaft - Worm Wheel	35 - 15
B408 4223	Belt Tensioner - Stapler	19 - 10

Part No.	Description	Page and Index No.
B468 1618	Connector Cover	3 - 1
B468 2415	Arm - Roller Slide	9 - 27
B468 2425	Drive Pulley	41 - 19
B468 2832	Driven Exit Roller	15 - 26
B468 4136	Middle Myler (B700)	21 - 15
B468 4381	Stopper - Timing Belt	19 - 13
B468 5991	Harness Bracket	45 - 10
B468 5991	Harness Bracket	43 - 17
B468 5991	Harness Bracket	39 - 3
B468 5998	Connector Cover	47 - 9
B468 6411	Adjusting Pin - Booklet Stapler (B700)	21 - 14
B468 6511	Spacer Cushion - 20mm	3 - 18
B468 6515	Support Tray	3 - 24
B468 7812	Caution Decal - Tray Fall	3 - 4
B468 7812	Caution Decal - Tray Fall	53 - 1
B477 2333	Motor Bracket Cushion	15 - 18
B478 2328	Exit Roller:Driven (B700)	33 - 3
B478 2328	Exit Roller:Driven (B700)	23 - 3
B478 3501	Pulley:Drive:Roller:Sponge	37 - 26
B478 3502	Pulley:Driven:Roller:Sponge	37 - 28
B478 3503	Gathering Roller:Sponge	37 - 29
B478 3504	Timing Belt:B40S2M100	37 - 25
B478 3506	Lever:Drive:Gathering Roller:Front	37 - 32
B478 3507	Lever:Drive:Gathering Roller:Back	37 - 24
B478 3569	Spacer	9 - 30
B478 3569	Spacer	37 - 8
B702 7225	Bushing:Punch Unit:Slide (B700)	17 - 7
C203 5135	Bushing - 10x14x5.9	39 - 7
G565 2135	Exit Plate	35 - 24
H072 2220	Spacer - M6x10	37 - 2

Part No.	Description	Page and Index No.
AA06 0557	Positioning Roller Spring	15 - 11
AA06 3529	Pressure Spring - 14.5mm	9 - 4
AA06 3529	Pressure Spring - 14.5mm	23 - 1
AA06 3529	Pressure Spring - 14.5mm	7 - 19
AA08 0237	Bushing - 4x5x7 (B700)	33 - 2
AA08 2058	Bushing - 6x10x9mm	15 - 9
AA10 0006	Nut - M3.6	47 - 10
AA10 0011	Retaining Ring:Silencer:Mm7	19 - 6
AA13 2024	Spacer - M6	27 - 20
AA13 2169	Spacer - 5.7x16x1.5	43 - 9
AA13 2208	Spacer - M6 (B700)	33 - 24
AA14 3702	Screw:Pin:Positioning	49 - 17
AA14 3702	Screw:Pin:Positioning	39 - 22
AA14 3702	Screw:Pin:Positioning	27 - 6
AA14 3790	Screw:Contact Point	19 - 11
AA14 3790	Screw:Contact Point	21 - 1
AA14 3790	Screw:Contact Point	25 - 15
AA14 3790	Screw:Contact Point	29 - 18
AA14 3790	Screw:Contact Point	11 - 16
AA14 3790	Screw:Contact Point	7 - 20
AA14 3790	Screw:Contact Point	43 - 5
AA14 3790	Screw:Contact Point	45 - 5
AA14 3823	Tapping Screw	37 - 33
AA16 1099	Lever Cushion	15 - 12
AB03 0278	Idler - 20z	25 - 16
AB03 0374	Timing Pulley - 20Z	7 - 23
AB03 0374	Timing Pulley - 20Z	5 - 22
AF02 2147	Driven Roller	13 - 3
AF02 2147	Driven Roller	15 - 27
AF02 2147	Driven Roller	7 - 9
AF02 2148	Roller:Driven:L=125	5 - 17
AG07 0512	Magnet Catch:Ass'y	3 - 17
AG07 0513	Magnet Catch:Original Table:25.5n	5 - 14
AG07 0513	Magnet Catch:Original Table:25.5n	11 - 5
AG07 0514	Magnet Catch:Ass'y	7 - 17

Part No.	Description	Page and Index No.
AG07 0514	Magnet Catch:Ass'y	13 - 6
AG07 0514	Magnet Catch:Ass'y	9 - 7
AG07 0514	Magnet Catch:Ass'y	23 - 7
AG07 1012	Magnet Catch:Ass'y	43 - 24
AH01 2030	Caster:DIA50:400n	49 - 14
AJ01 1015	Stapler:EH-530	27 - 23
AW01 0109	Photo Refiection Sensor:PS117ED1	35 - 21
AW01 0109	Photo Refiection Sensor:Ps117ed1	33 - 22
AW02 0114	Photo Interruptor - Lower Limit	39 - 2
AW02 0141	Photointerruptor	49 - 6
AW02 0141	Photointerruptor	41 - 17
AW02 0141	Photointerruptor	37 - 17
AW02 0141	Photointerruptor	35 - 7
AW02 0141	Photointerruptor	33 - 8
AW02 0141	Photointerruptor	31 - 9
AW02 0141	Photointerruptor	19 - 21
AW02 0141	Photointerruptor	27 - 3
AW02 0141	Photointerruptor	23 - 16
AW02 0166	Photointerruptor:Paper Feed Sensor	21 - 9
AW02 0172	Photointerruptor:Overflow:CT	7 - 2
AX06 0282	DC Motor:25.1W	41 - 14
GW01 0007	Photo Refiection Sensor:Exit	33 - 15
GW01 0007	Photo Refiection Sensor:Exit	13 - 11
GW01 0007	Photo Refiection Sensor:Exit	7 - 6
GW01 0007	Photo Refiection Sensor:Exit	21 - 7
GW01 0007	Photo Refiection Sensor:Exit	5 - 18
GW01 0007	Photo Refiection Sensor:Exit	25 - 8

Part No.	Description	Page and Index No.
0353 0040N	Screw - M3X4	15 -105
0353 0040N	Screw - M3X4	33 -103
0353 0040N	Screw - M3x4	41 -103
0353 0040N	Screw - M3X4	45 -102
0353 0040N	Screw - M3x4	11 -104
0353 0050N	Screw-m3x5	27 -103
0353 0060N	Philips Pan Head Bind Screw - M3x6	41 -102
0353 0060N	Philips Pan Head Bind Screw - M3x6	27 -102
0450 3008N	Tapping Screw - M3x8	17 -102
0450 3008N	Tapping Screw - M3x8	9 - 105
0450 3008N	Tapping Screw - M3x8	25 -103
0450 3008N	Tapping Screw - M3x8	29 -106
0450 3008N	Tapping Screw - M3x8	13 -103
0451 3006N	Tapping Screw - 3x6	29 -101
0451 3006N	Tapping Screw - 3x6	31 -102
0451 3006N	Tapping Screw - 3x6	17 -106
0451 3006N	Tapping Screw - 3x6	23 -101
0451 3006N	Tapping Screw - 3x6	13 -102
0451 3006N	Tapping Screw - 3x6	19 -101
0451 3006N	Tapping Screw - 3x6	27 -101
0451 3006N	Tapping Screw - 3x6	15 -101
0451 3006N	Tapping Screw - 3x6	25 -101
0451 3006N	Tapping Screw - 3x6	21 -101
0451 3006N	Tapping Screw - 3x6	11 -101
0451 3006N	Tapping Screw - 3x6	41 -101
0451 3006N	Tapping Screw - 3x6	3 - 102
0451 3006N	Tapping Screw - 3x6	49 -101
0451 3006N	Tapping Screw - 3x6	47 -101
0451 3006N	Tapping Screw - 3x6	5 - 103
0451 3006N	Tapping Screw - 3x6	45 -101
0451 3006N	Tapping Screw - 3x6	7 - 101
0451 3006N	Tapping Screw - 3x6	43 -101
0451 3006N	Tapping Screw - 3x6	33 -101
0451 3006N	Tapping Screw - 3x6	39 -101
0451 3006N	Tapping Screw - 3x6	37 -101

Part No.	Description	Page and Index No.
0451 3006N	Tapping Screw - 3x6	9 - 102
0451 3006N	Tapping Screw - 3x6	35 -101
0451 3008N	Tapping Screw - M3x8	39 -102
0451 3008N	Tapping Screw - M3x8	43 -102
0451 3008N	Tapping Screw - M3x8	25 -102
0451 3008N	Tapping Screw - M3x8	27 -107
0451 3008N	Tapping Screw - M3x8	49 -102
0451 3008N	Tapping Screw - M3x8	31 -101
0451 3008N	Tapping Screw - M3x8	3 - 101
0451 3008N	Tapping Screw - M3x8	13 -101
0451 3008N	Tapping Screw - M3x8	9 - 101
0451 3008N	Tapping Screw - M3x8	17 -101
0451 3008N	Tapping Screw - M3x8	15 -102
0451 3010N	Tapping Screw:3x10	19 -102
0451 4006N	Tapping Screw - 4x6	47 -102
0451 4014N	Tapping Screw:M4x14	3 - 103
0453 3006N	Tapping Screw - M3x6	27 -112
0453 3006N	Tapping Screw - M3x6	21 -109
0453 3006N	Tapping Screw - M3x6	45 -103
0453 3006N	Tapping Screw - M3x6	23 -105
0453 3006N	Tapping Screw - M3x6	49 -104
0453 3006N	Tapping Screw - M3x6	25 -104
0453 3006N	Tapping Screw - M3x6	31 -103
0453 3006N	Tapping Screw - M3x6	19 -103
0453 3006N	Tapping Screw - M3x6	17 -103
0453 3014N	Binding Self Tapping Screw 3x14 (B700)	33 -102
0453 4006N	Binding Self Tapping Screw:4x6 (B700)	29 -103
0574 0040E	Hexagon Headless Set Screw - M4x4	41 -106
0632 0100G	Pin - 2x10mm	37 -106
0632 0160G	Parallel Pin-m2x16	19 -104
0632 0160G	Parallel Pin-m2x16	23 -104
0633 0140G	Parallel Pin - 3x14 (B700)	29 -110
0633 0140G	Parallel Pin - 3x14 (B700)	31 -105
0633 0180G	Parallel Pin - 3x18mm (B700)	31 -106
0634 0200G	Parallel Pin - 4x20	39 -105

Part No.	Description	Page and Index No.
0720 0040E	Retaining Ring - M4	37 -103
0720 0040E	Retaining Ring - M4	27 -104
0720 0040E	Retaining Ring - M4	13 -104
0720 0040E	Retaining Ring - M4	35 -102
0720 0040E	Retaining Ring - M4	33 -104
0720 0040E	Retaining Ring - M4	9 - 104
0720 0040E	Retaining Ring - M4	39 -104
0720 0040E	Retaining Ring - M4	11 -105
0720 0040E	Retaining Ring - M4	31 -107
0720 0040E	Retaining Ring - M4	7 - 105
0720 0040E	Retaining Ring - M4	25 -105
0720 0040E	Retaining Ring - M4	43 -103
0720 0040E	Retaining Ring - M4	19 -106
0720 0040E	Retaining Ring - M4	49 -106
0720 0040E	Retaining Ring - M4	21 -108
0720 0040E	Retaining Ring - M4	5 - 104
0720 0040E	Retaining Ring - M4	23 -103
0720 0040E	Retaining Ring - M4	17 -105
0720 0040E	Retaining Ring - M4	15 -103
0720 0060E	Retaining Ring - M6	27 -105
0720 0060E	Retaining Ring - M6	19 -105
0720 0060E	Retaining Ring - M6	25 -106
0720 0060E	Retaining Ring - M6	41 -104
0720 0060E	Retaining Ring - M6	23 -102
0720 0060E	Retaining Ring - M6	39 -103
0720 0060E	Retaining Ring - M6	29 -104
0740 3008	Ball Bearing - 8x22x7	27 -106
0741 3506	Ball Bearing - 6x12x4 Mm	41 -107
0742 3808	Ball Bearing - 8x16x5 (B700)	29 -105
0802 5276	Tapping Screw With Washer - M3x6	21 -102
0802 5276	Tapping Screw With Washer - M3x6	5 - 102
0802 5276	Tapping Screw With Washer - M3x6	7 - 102
0802 5277	Tapping Screw	5 - 101
0802 5277	Tapping Screw	11 -102
0802 5282	Tapping Screw - M4x8	49 -103

Part No.	Description	Page and Index No.
0805 0088	Retaining Ring - M6	11 -106
0805 0088	Retaining Ring - M6	31 -104
0805 0089	Retaining Ring - M4	33 -105
0805 0089	Retaining Ring - M4	9 - 103
0805 0089	Retaining Ring - M4	35 -103
0805 0089	Retaining Ring - M4	37 -105
0805 0089	Retaining Ring - M4	43 -104
0805 0089	Retaining Ring - M4	7 - 103
0805 0089	Retaining Ring - M4	17 -104
0805 0089	Retaining Ring - M4	15 -104
0805 3537	Ball Bearing:DIA6xdia13x5:DIA14.5	11 -103
0805 3537	Ball Bearing:DIA6xDIA13x5:DIA14.5	7 - 104
0805 3537	Ball Bearing:DIA6xDIA13x5:DIA14.5	13 -105
0805 3537	Ball Bearing:DIA6xDIA13x5:DIA14.5	37 -104
0805 3537	Ball Bearing:DIA6xDIA13x5:DIA14.5	23 -106
0807 5056	Washer - 8.1mm	41 -105
0950 3005N	Screw:Spring Washer:M3x5	49 -105
1102 8534	Connector - QR/P17-14S-B	47 -103
1105 0192	Locking Support	47 -109
1105 0328	Harness Clamp - ES-0505	21 -103
1105 0328	Harness Clamp - ES-0505	35 -105
1105 0328	Harness Clamp - ES-0505	19 -108
1105 0328	Harness Clamp - ES-0505	27 -109
1105 0328	Harness Clamp - ES-0505	37 -102
1105 0328	Harness Clamp - ES-0505	7 - 106
1105 0328	Harness Clamp - ES-0505	49 -107
1105 0328	Harness Clamp - ES-0505	41 -108
1105 0328	Harness Clamp - ES-0505	29 -109
1105 0328	Harness Clamp - ES-0505	39 -107
1105 0334	Edge - 17 (B700)	25 -107
1105 0367	Spacer	47 -111
1105 0487	Harness Clamp	47 -105
1105 0487	Harness Clamp	23 -110
1105 0487	Harness Clamp	25 -110
1105 0487	Harness Clamp	21 -106

Part No.	Description	Page and Index No.
1105 0487	Harness Clamp	37 -107
1105 0487	Harness Clamp	27 -110
1105 0487	Harness Clamp	29 -102
1105 0488	Harness Clamp	25 -109
1105 0488	Harness Clamp	39 -106
1105 0488	Harness Clamp	47 -110
1105 0488	Harness Clamp	23 -108
1105 0489	Harness Clamp - LWS 1316	47 -106
1105 0489	Harness Clamp - LWS 1316	43 -107
1105 0489	Harness Clamp - LWS 1316	21 -105
1105 0490	Harness Clamp - IWS-2218	39 -108
1105 0490	Harness Clamp - IWS-2218	43 -106
1105 0508	Harness Clamp - LWS-0711 (B701)	43 -105
1105 0508	Harness Clamp - LWS-0711 (B701)	45 -104
1105 0508	Harness Clamp - LWS-0711 (B701)	21 -107
1105 0508	Harness Clamp - LWS-0711 (B701)	23 -107
1105 0508	Harness Clamp - LWS-0711 (B701)	25 -111
1105 0508	Harness Clamp - LWS-0711 (B701)	47 -108
1105 0511	Harness Clamp - LWS-0306ZC	47 -107
1105 0511	Harness Clamp - LWS-0306ZC	21 -104
1105 0511	Harness Clamp - LWS-0306ZC	15 -106
1105 0511	Harness Clamp - LWS-0306ZC	19 -107
1105 0511	Harness Clamp - LWS-0306ZC	49 -108
1105 0511	Harness Clamp - LWS-0306ZC	13 -107
1105 0511	Harness Clamp - LWS-0306ZC	39 -109
1105 0511	Harness Clamp - LWS-0306ZC	33 -107
1105 0511	Harness Clamp - LWS-0306ZC	35 -106
1105 0511	Harness Clamp - LWS-0306ZC	27 -108
1105 0511	Harness Clamp - LWS-0306ZC	37 -108
1105 0511	Harness Clamp - LWS-0306ZC	7 - 107
1105 0511	Harness Clamp - LWS-0306ZC	29 -108
1105 0511	Harness Clamp - LWS-0306ZC	25 -108
1105 0511	Harness Clamp - LWS-0306ZC	41 -109
1105 0516	Clamp	47 -104
1105 0516	Clamp	13 -106

Part No.	Description	Page and Index No.
1105 0516	Clamp	23 -109
1105 0516	Clamp	35 -104
1105 0516	Clamp	27 -111
1105 0516	Clamp	11 -107
1105 0516	Clamp	5 - 105
1105 0522	Edge Saddle - LES0510 (B700)	33 -106
1105 0522	Edge Saddle - Les0510 (B700)	29 -107
1204 2520	Switch:DE2L-FJ20	37 -109
1204 2541	Interlock Switch	5 - 106

Part No.	Description	Page and Index No.
5053 0223	Bushing - 8mm	23 - 17
5053 0223	Bushing - 8mm	19 - 7
5053 0419	Bushing - 10mm (B700)	19 - 1
5053 0447	Bushing - 6mm	37 - 3
5053 0447	Bushing - 6mm	33 - 21
5053 0447	Bushing - 6mm	27 - 14
5053 0447	Bushing - 6mm	7 - 26
5053 0447	Bushing - 6mm	13 - 14
5053 0447	Bushing - 6mm	11 - 20
5053 0447	Bushing - 6mm	9 - 25
5201 2722	Bushing - M6x5	9 - 19
5206 2686	Snap Ring	25 - 24
5206 2686	Snap Ring	29 - 12
5215 2621	Snap Ring - M6 (B700)	17 - 8
5447 2681	Snap Ring	17 - 1
5447 2681	Snap Ring	15 - 4
5447 2681	Snap Ring	25 - 20
5447 2681	Snap Ring	35 - 19

Part No.	Description	Page and Index No.